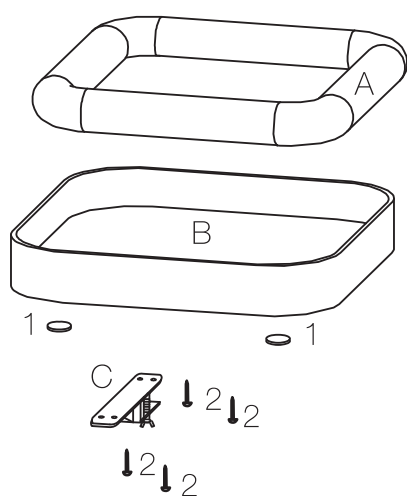
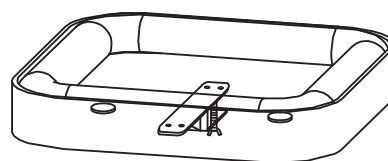


1

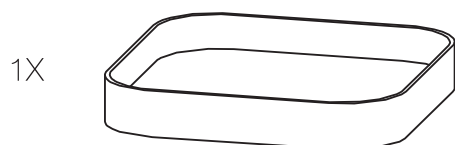


2



48 x 38 x 4 cm (A)

2X  Ø 18 x 5 mm (1)



50 x 40 x 6 cm (B)

4X  Ø 4 x 16 mm (2)



15 x 5 x 6 cm (C)