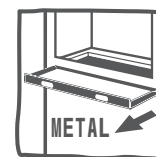
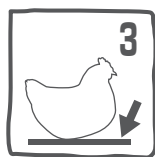
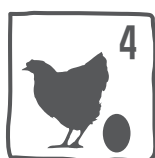


Woodland

Loft Attic Pinus



WOODLAND
BY



Made in China

Join us!

www.duvoplus.com



Writing
Pet Stories
Together




Industrieweg 98-100
9032 Wondelgem | Belgium
www.laroygroup.com




@laroygroup

THESE PARTS:


FASTENERS

(A) 30+1 pcs - $\varnothing 3.5 \times 45$ mm 

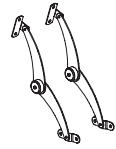
(C) 2+1 pcs - $\varnothing 3.0 \times 16$ mm 

(E) 8+1 pcs - M6x55mm 

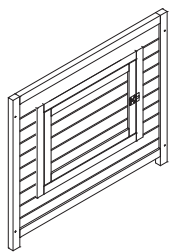
(B) 8+1 pcs - $\varnothing 3.5 \times 60$ mm 

(D) 4+1 pcs - $\varnothing 3.5 \times 30$ mm 

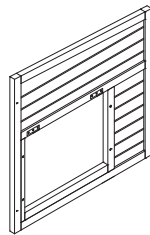
(F) 8+1 pcs - $\varnothing 4.0 \times 16$ mm 



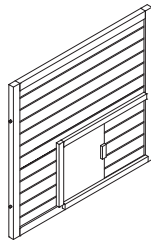
WOOD PIECES



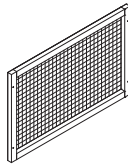
1a



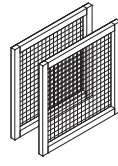
1b x2



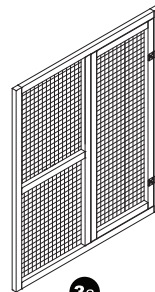
1c



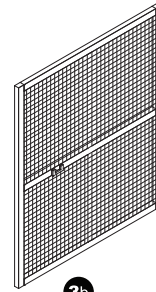
2a



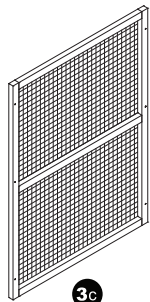
2b



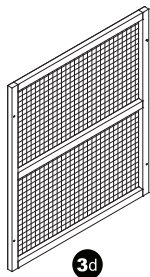
3a



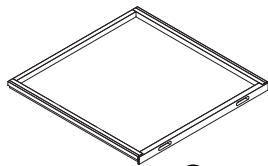
3b



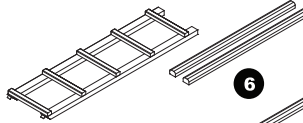
3c



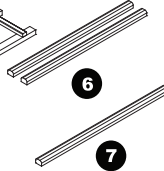
3d



4



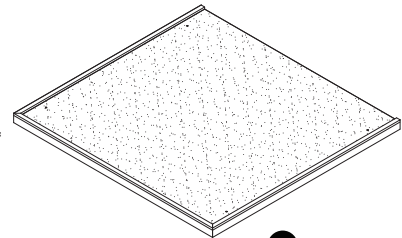
5



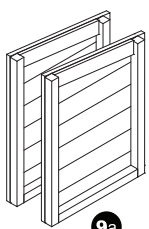
6



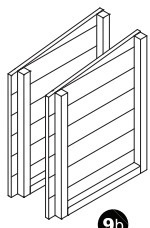
7



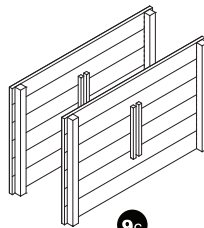
8



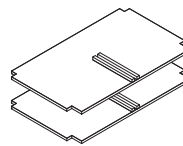
9a



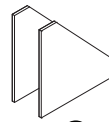
9b



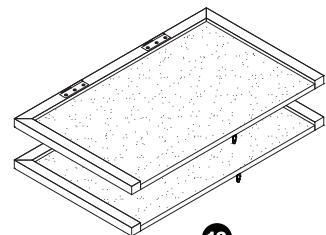
9c



9d



9e

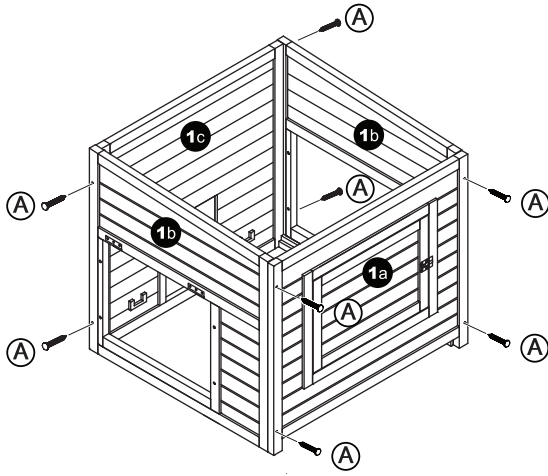


10

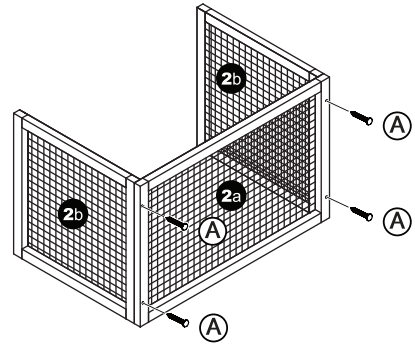
Assembly Instructions

*Use Screwdriver for Assembly

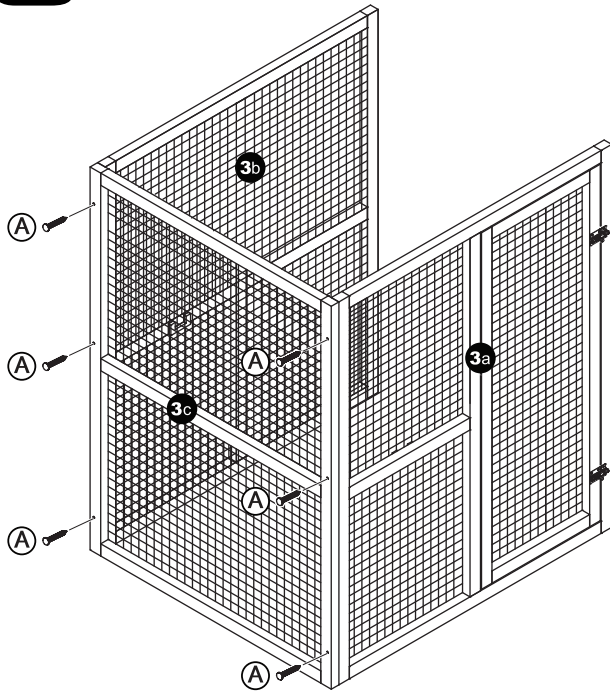
1



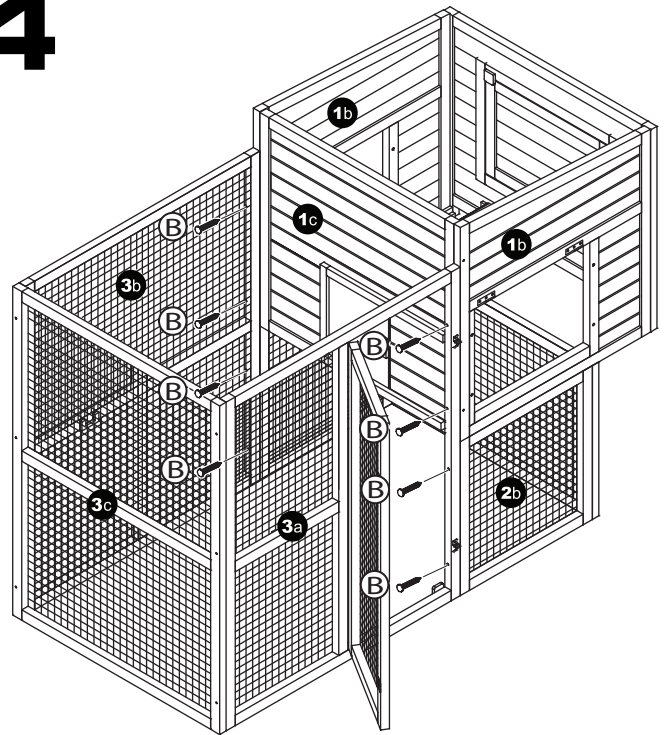
2



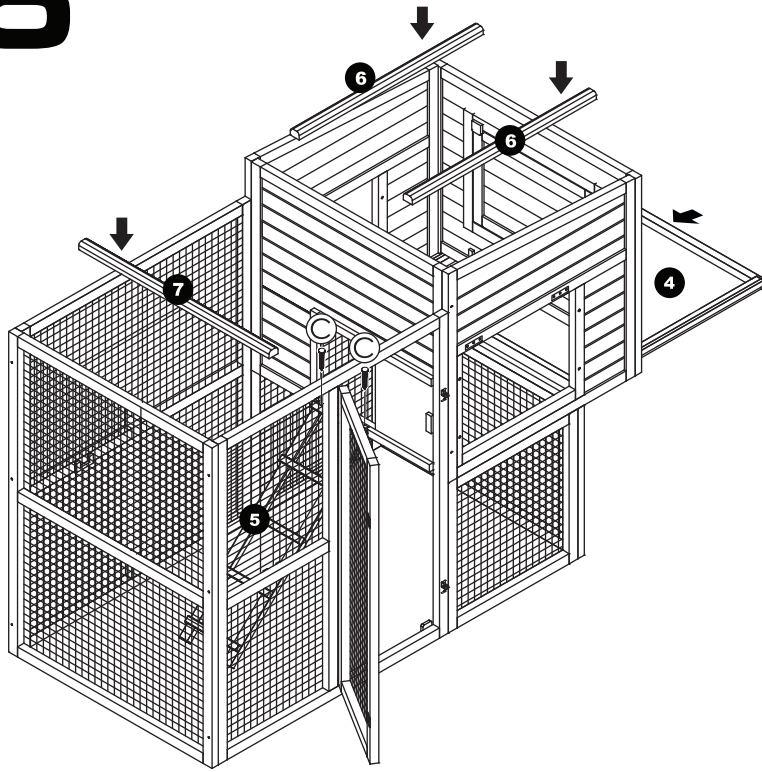
3



4

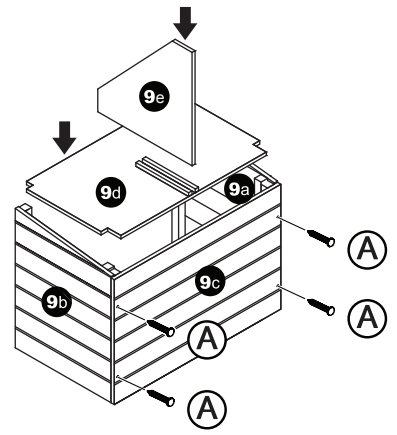


5

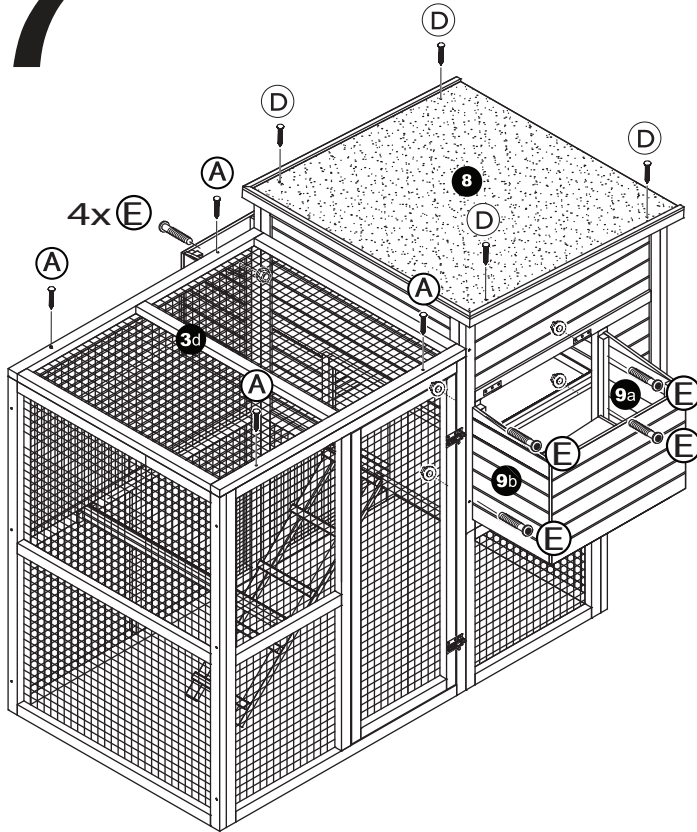


6

2X



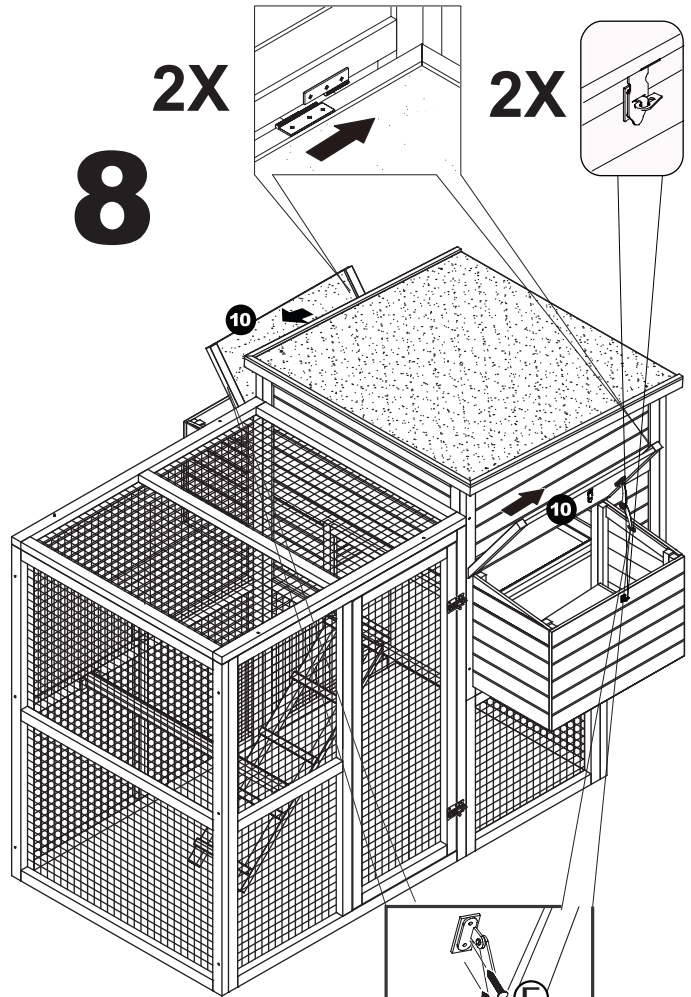
7



8

2X

2X



2X

