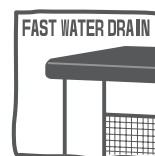


Woodland

Bungalow Pinus



WOODLAND
BY



Made in China

Join us!

www.duvoplus.com



Writing
Pet Stories
Together



Industrieweg 98-100
9032 Wondegem | Belgium
www.laroygroup.com

f @laroygroup

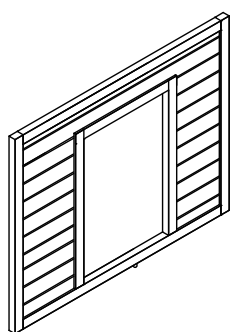
THESE PARTS:

FASTENERS

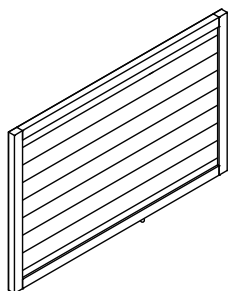
Ⓐ 21 PCS - Ø3,5 x 45mm



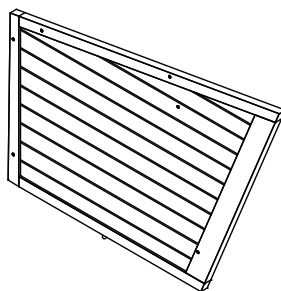
WOOD PIECES



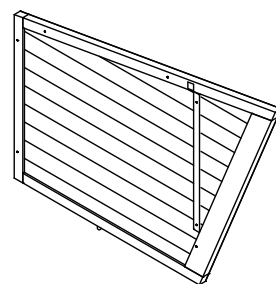
1



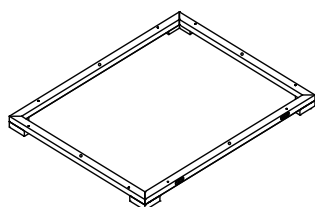
2



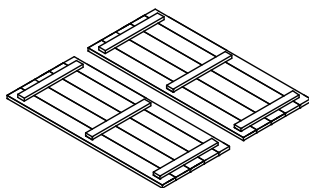
3



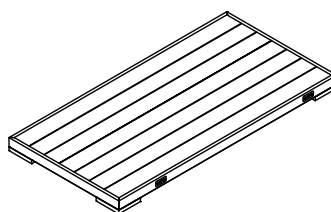
4



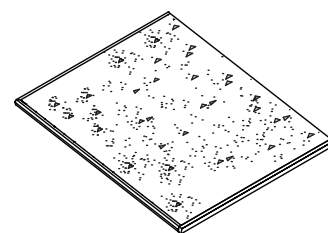
5



6



7

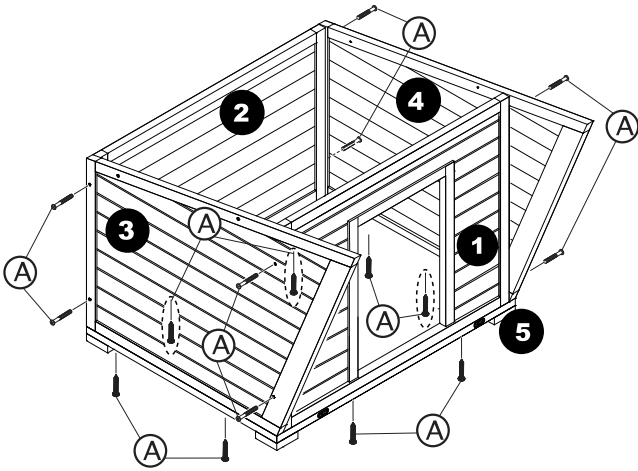


8

Assembly Instructions

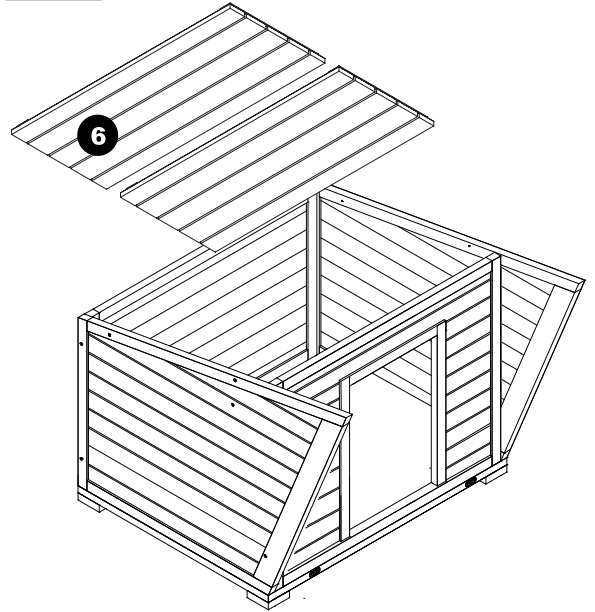
*Use Screwdriver for Assembly

1



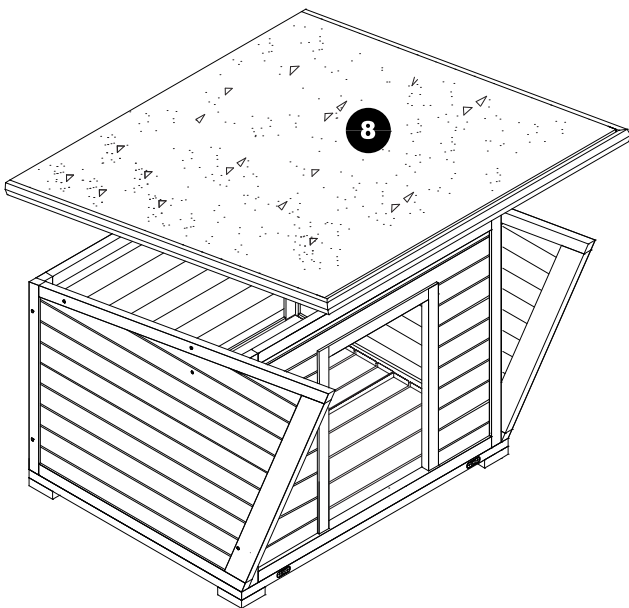
Use screw (A) to attach front panel ①, back panel ②, left side panel ③, right side panel ④. Then use screw (A) to attach the bottom support frame ⑤

2



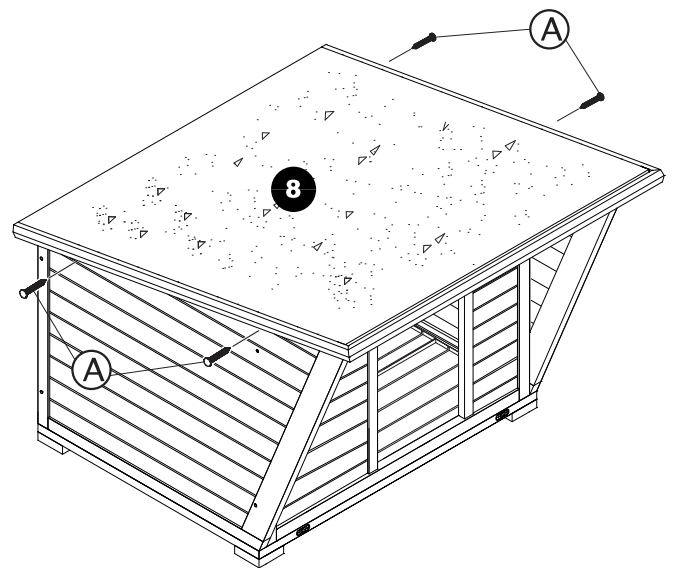
Place the floor boards (6) in the bottom of the dog house. Note the supports on all four walls the floor boards rest on.

3



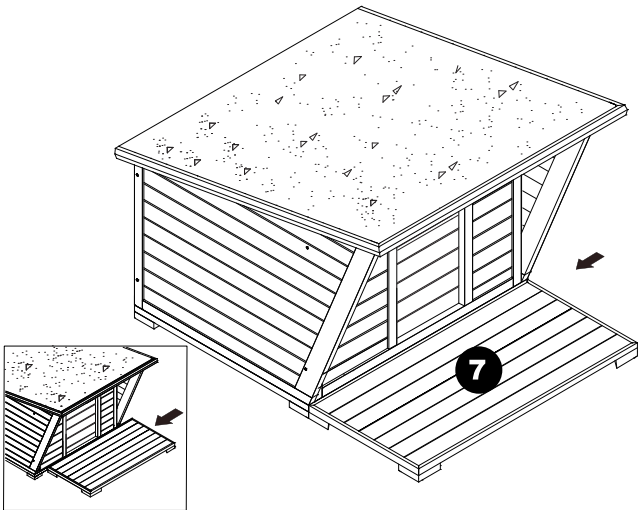
Put the roof ⑧ on the dog house

4



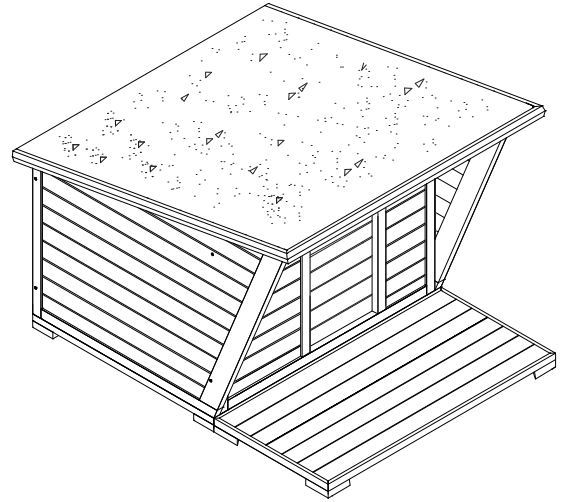
Align the roof so that pre-drilled holes are aligned and then use screw (A) to secure the roof in place

5



Place the front porch (7) to the front of the house and align the self-locking connectors. Push the porch in and then slide to the left to secure

6



Finished