

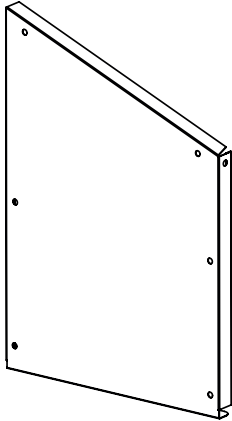
# MANUAL

## LAYING NEST

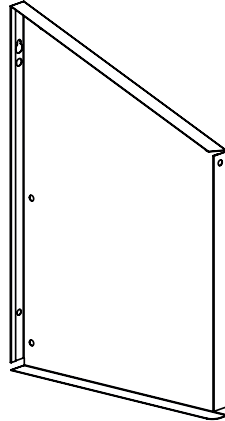
SIZE: 53x45x47,5cm



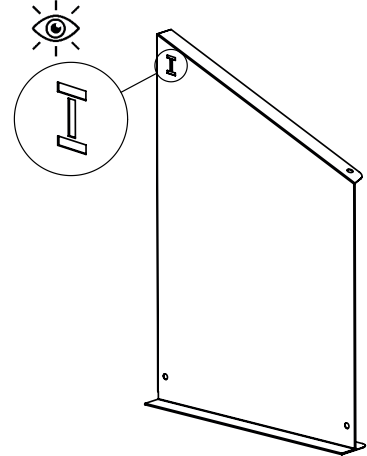
**A.1 x1**



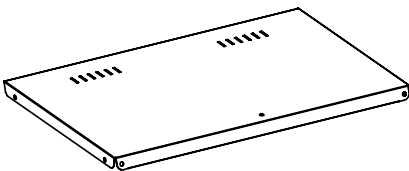
**A.2 x1**



**B x1**



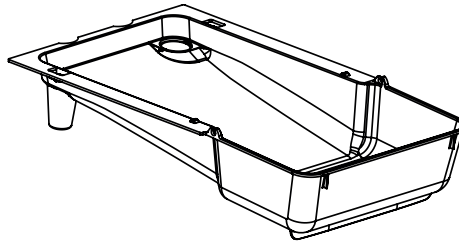
**C x1**



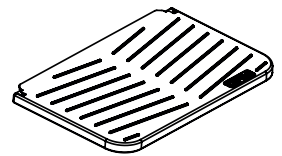
**D x4**



**E x2**



**F x2**



**G x12**



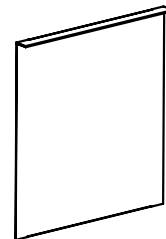
**H x12**

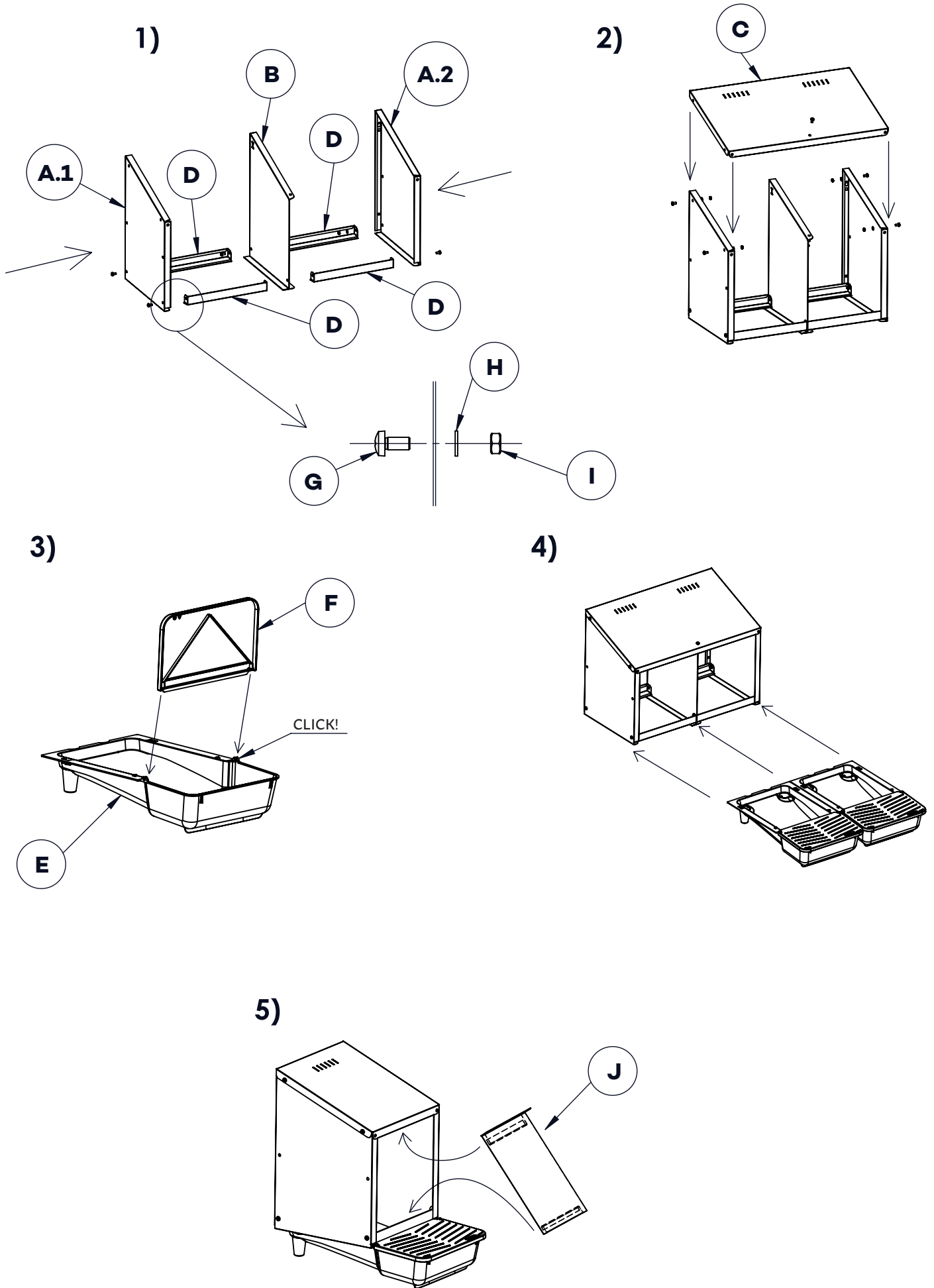


**I x12**



**J x2 BACK PANEL**

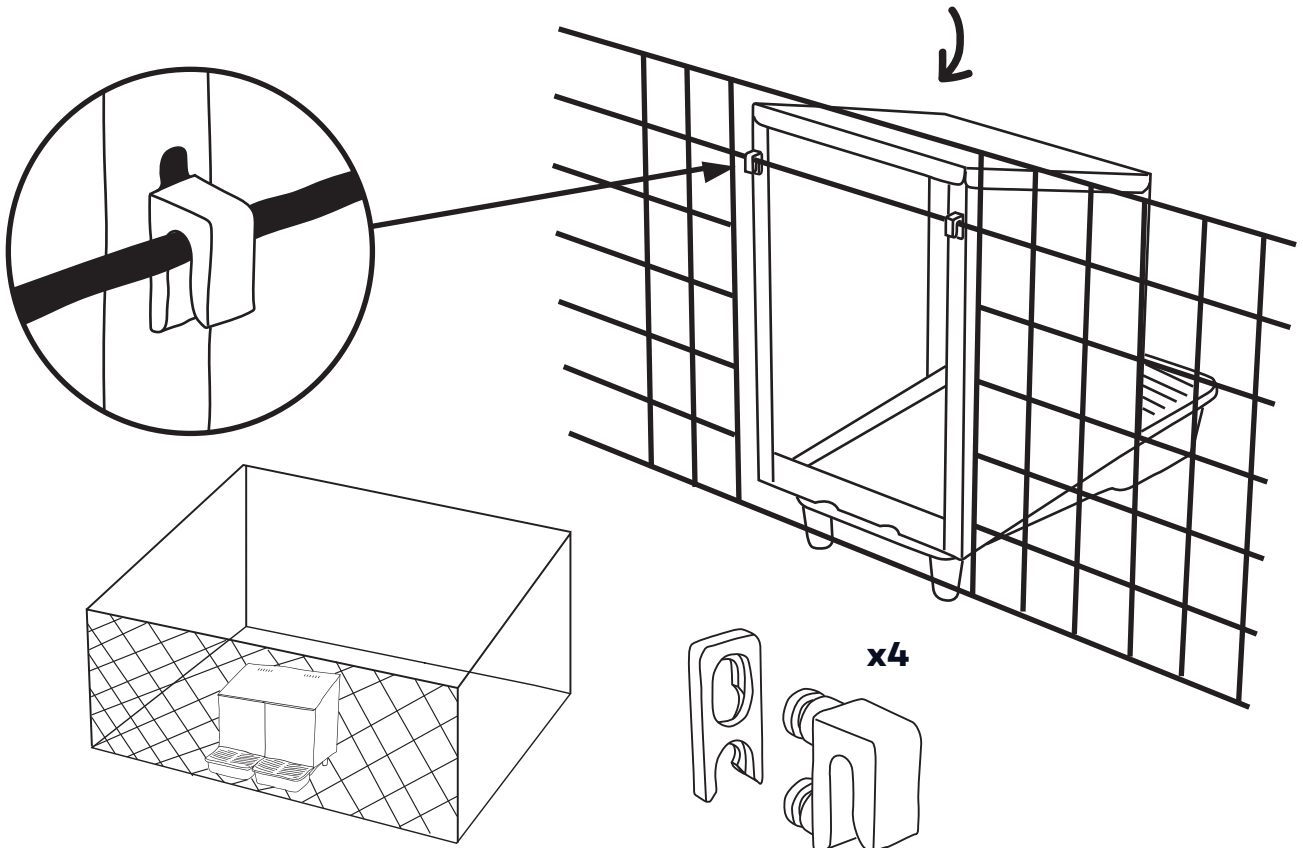




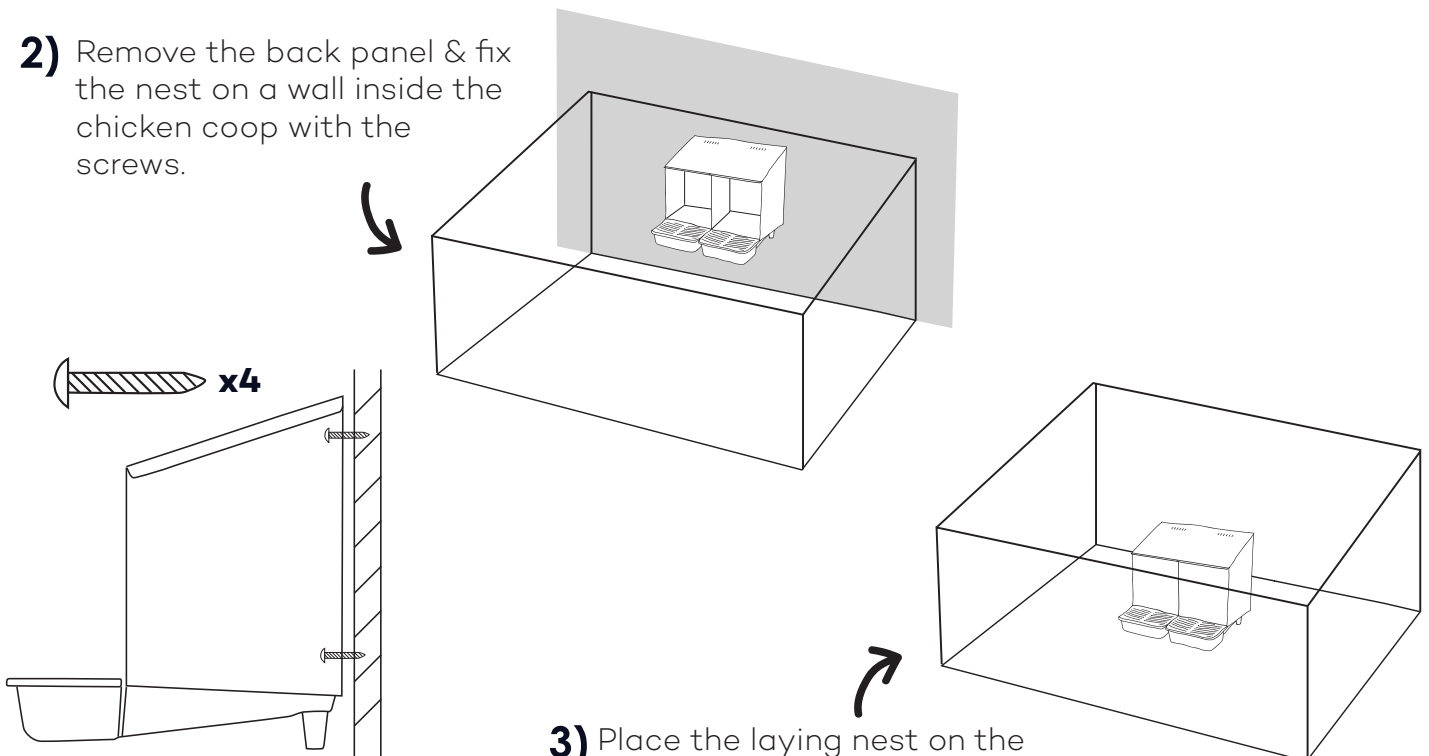
# MULTIPLE USE:

The laying nest can hang or stand inside or outside the chicken coop!

- 1) Make a hole in the wire & place the nest on the outside of the chicken coop. Fix with the hooks & attach the back panel.



- 2) Remove the back panel & fix the nest on a wall inside the chicken coop with the screws.



- 3) Place the laying nest on the ground in the chicken coop & attach the back panel.