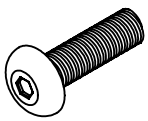
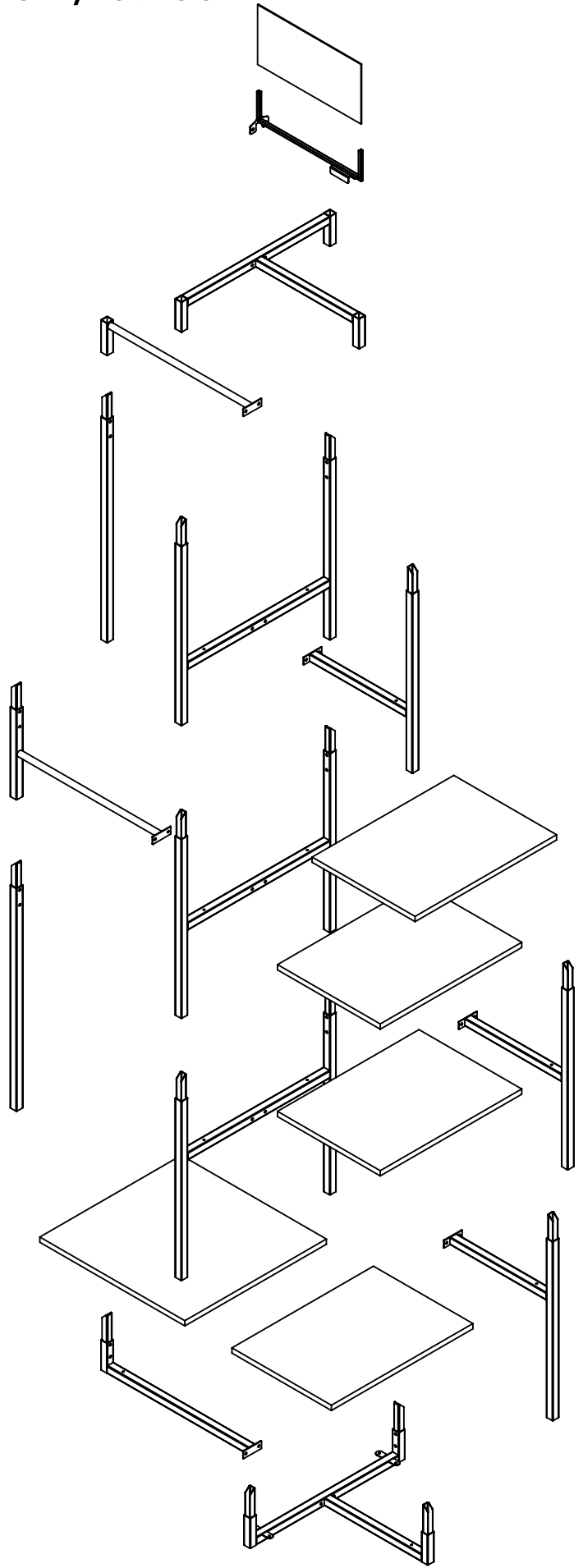
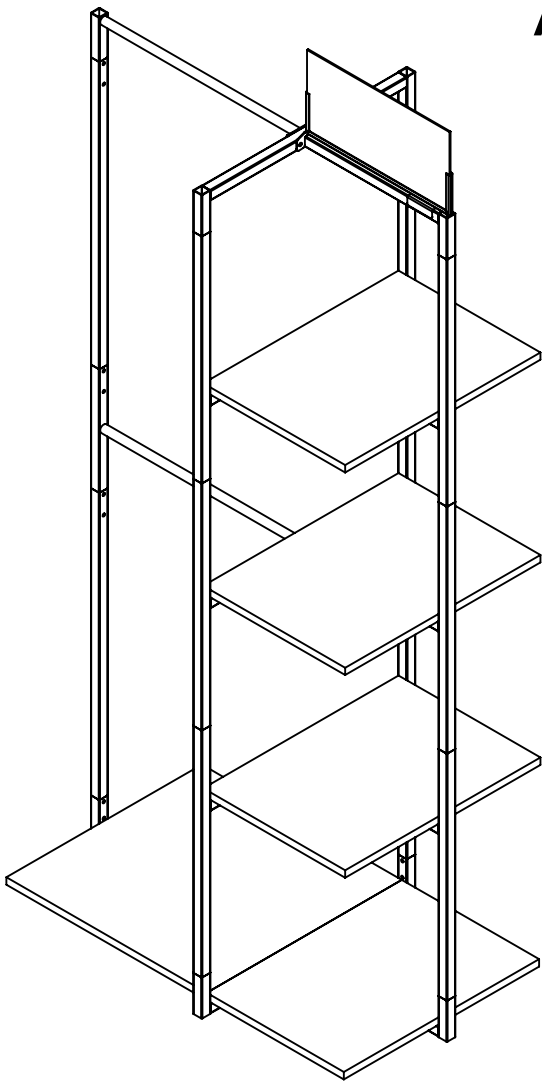
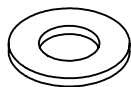


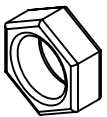
A4734-01 / U.453



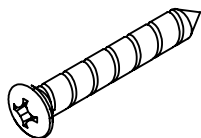
M6x40
x10



M6 Washer
x10

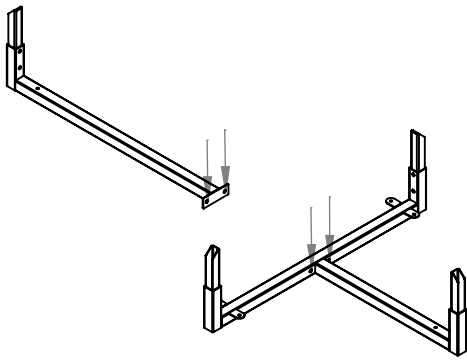


M6 Nut
x10



Wood screw
ø4-16
x15

1



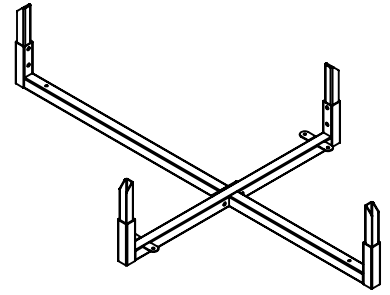
M6x40
x2



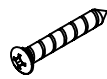
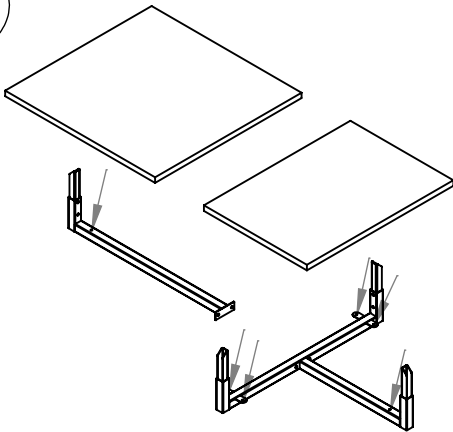
M6 Washer
x2



M6 Nut
x2

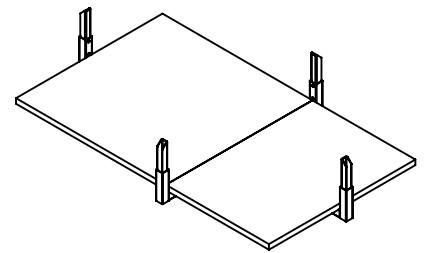


2

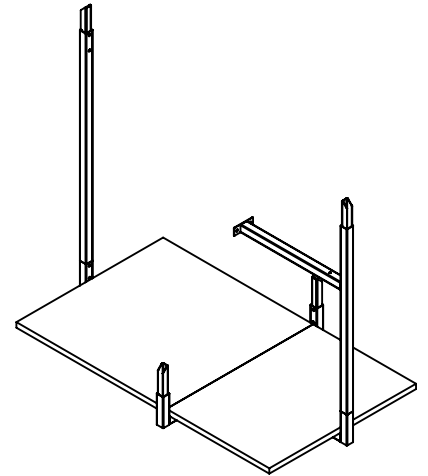
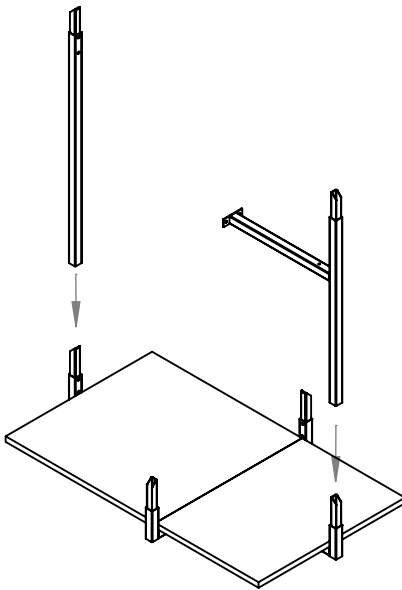


Wood screw
ø4-16
x6

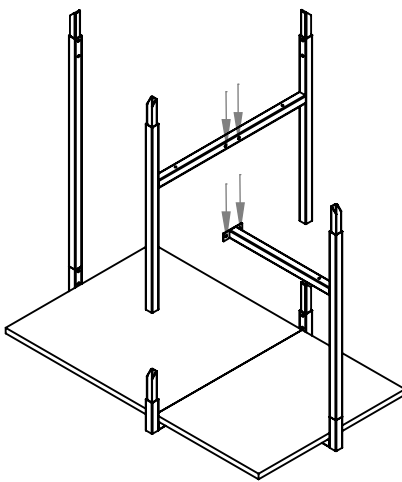
"Use electrodrill to
mount the
plywood shelves"



3



4



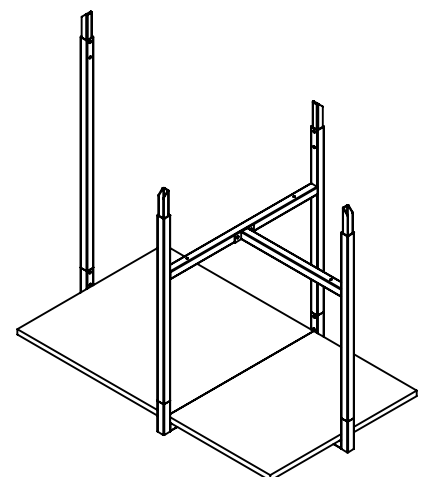
M6x40
x2



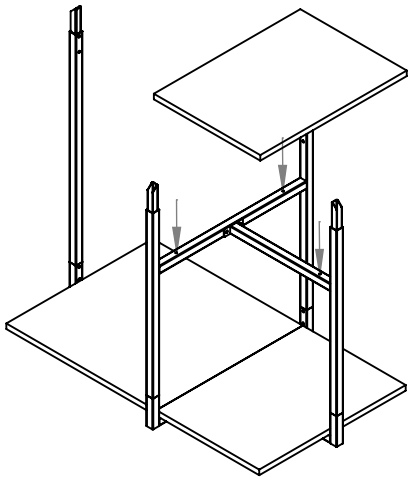
M6 Washer
x2



M6 Nut
x2

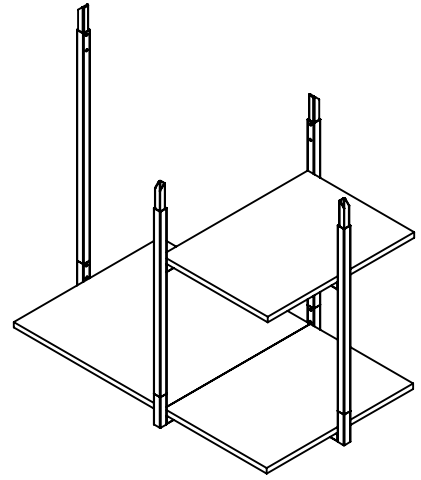


5

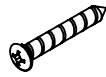
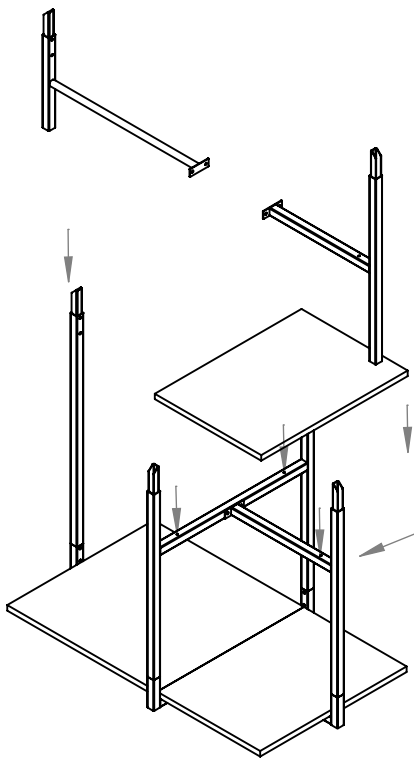


Wood screw
ø4-16
x3

"Use electrodrill to
mount the plywood
shelves"

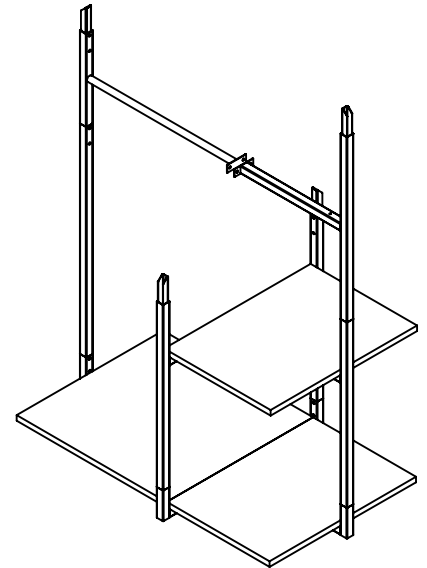


6

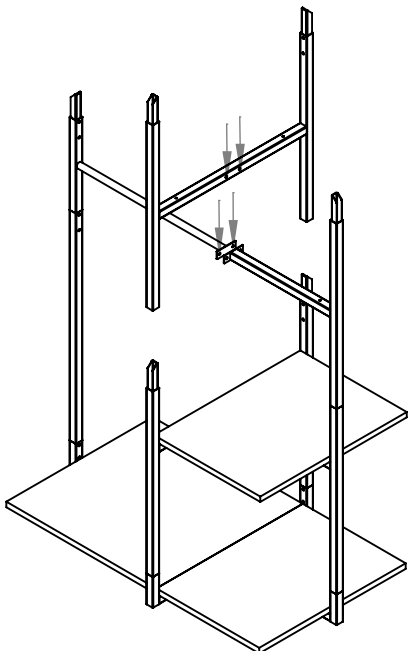


Wood screw
ø4-16
x3

"Use electrodrill to
mount the plywood
shelves"



7



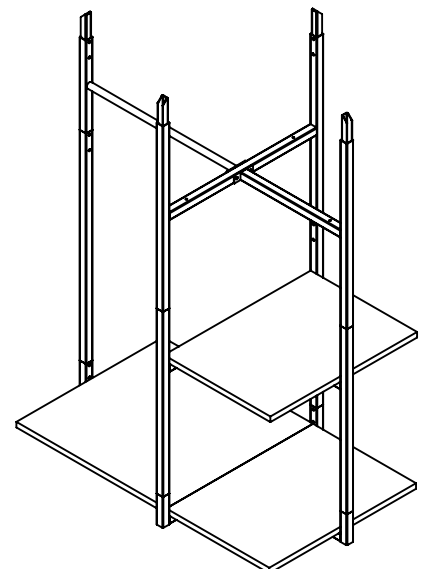
M6x40
x2



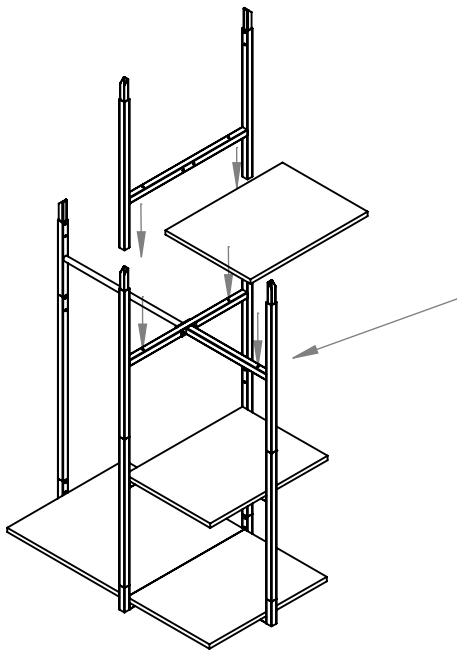
M6 Washer
x2



M6 Nut
x2

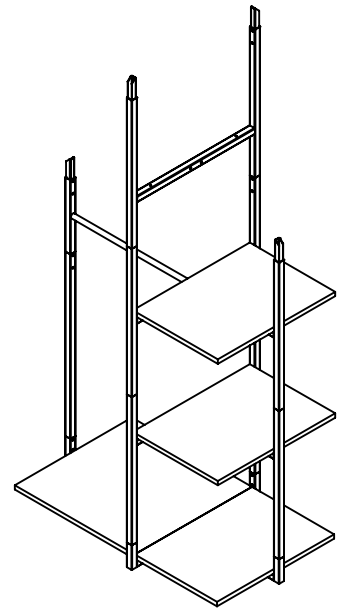


8

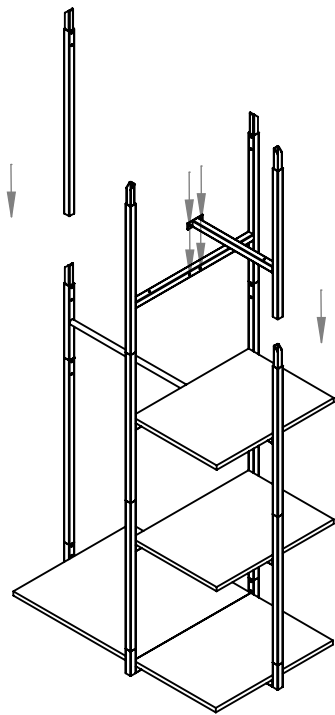


Wood screw
ø4-16
x3

"Use electrodrill to
mount the plywood
shelves"



9



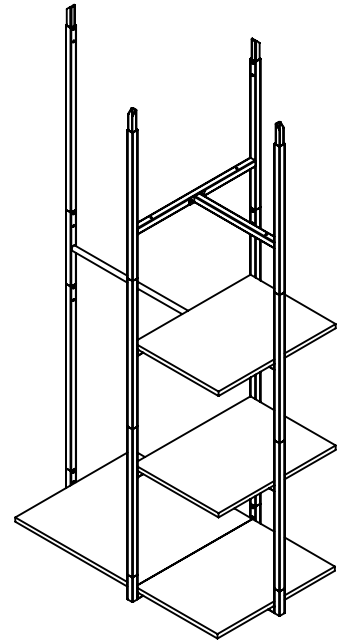
M6x40
x2



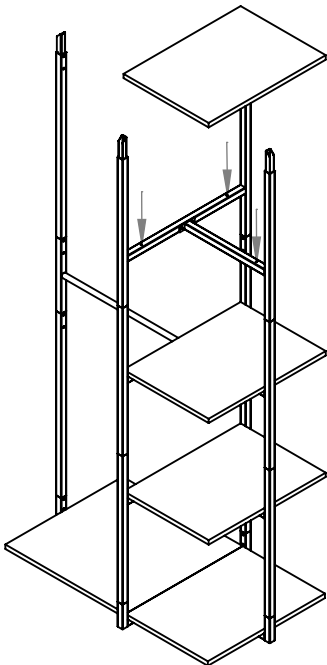
M6 Washer
x2



M6 Nut
x2

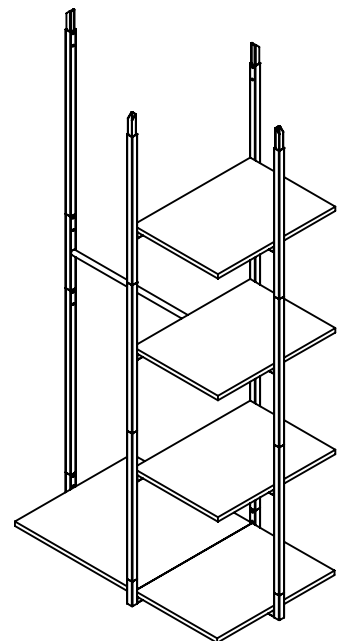


10

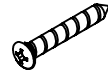
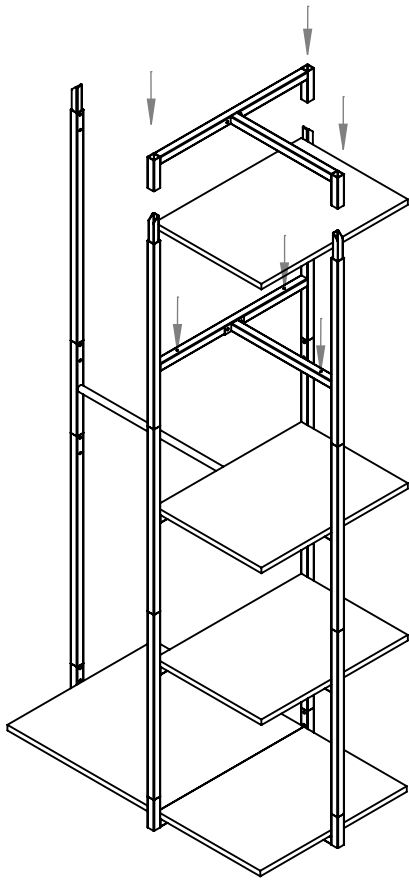


Wood screw
ø4-16
x3

"Use electrodrill to
mount the plywood
shelves"

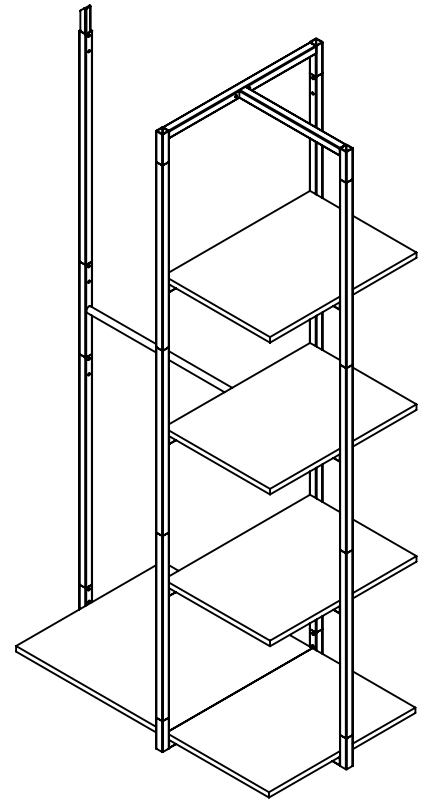


11

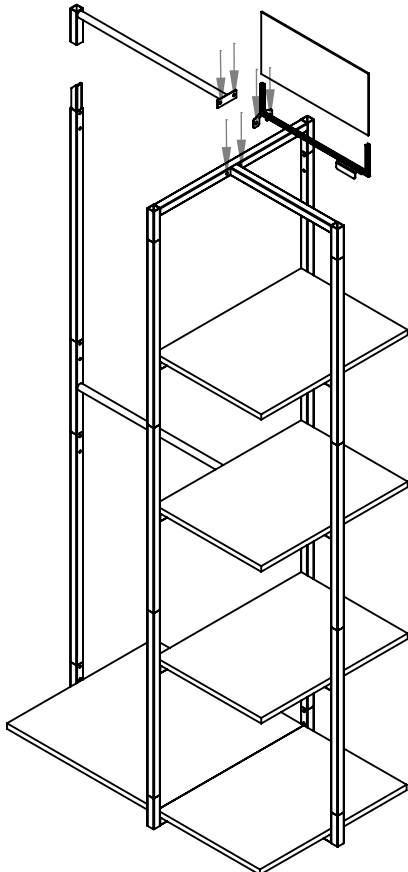


Wood screw
ø4-16
x3

"Use electrodrill to
mount the plywood
shelves"



12



M6x40
x2



M6 Washer
x2



M6 Nut
x2

