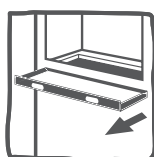


Woodland

Flappy Pinus



WOODLAND
BY



Made in China

Join us!

www.duvoplus.com



Writing
Pet Stories
Together





Industrieweg 98-100
9032 Wondelgem | Belgium
www.laroygroup.com


f @laroygroup

THESE PARTS:

FASTENERS

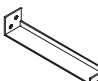
(A) 20+1pcs - $\varnothing 3.5 \times 22$ mm 

(D) 4+1pcs - $\varnothing 3.0 \times 16$ mm 

(G) 2+1pcs - M4.0x30mm 

(B) 8+1pcs - $\varnothing 3.5 \times 35$ mm 

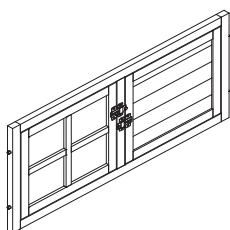
(E)  With brake wheels x2

(H) 

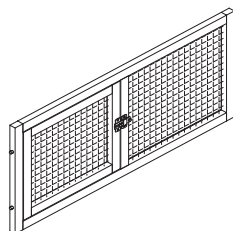
(C) 16+1pcs - $\varnothing 3.5 \times 45$ mm 

(F)  Without brake wheels x2

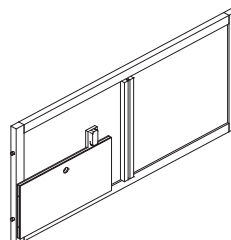
WOOD PIECES



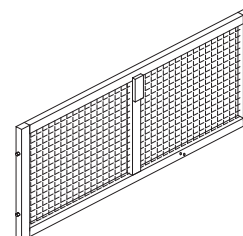
1



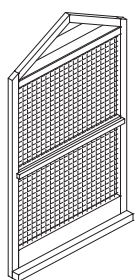
2



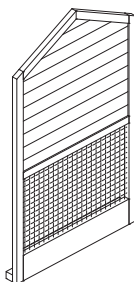
3



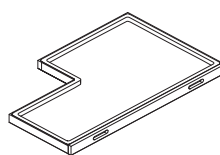
4



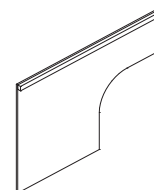
5



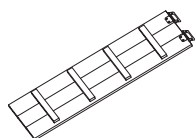
6



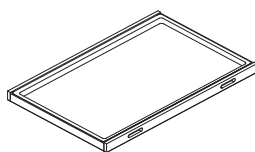
7



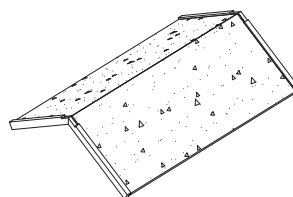
8



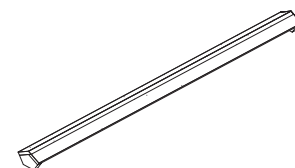
9



10



11

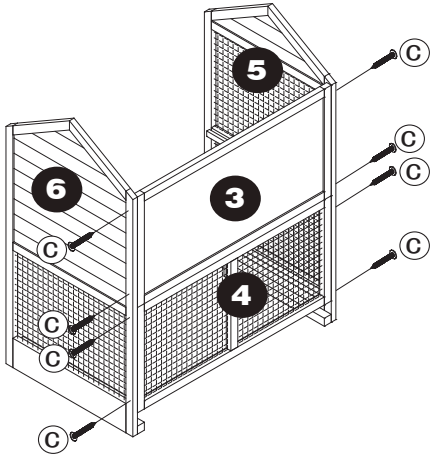


12

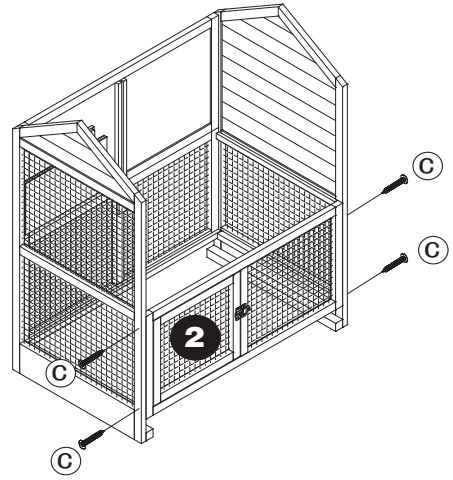
Assembly Instructions

*Use Screwdriver for Assembly

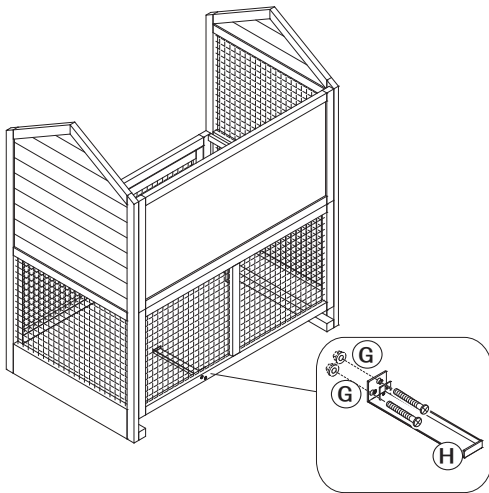
1



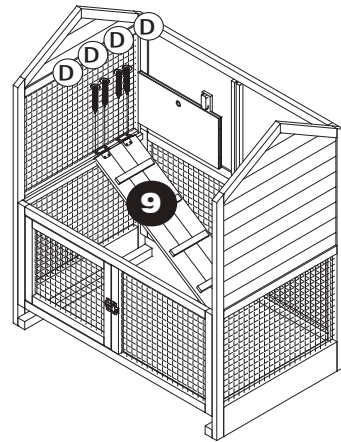
2



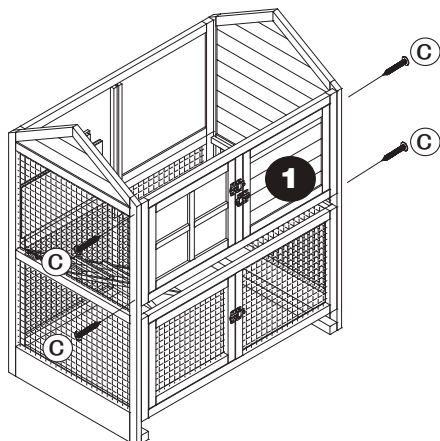
3



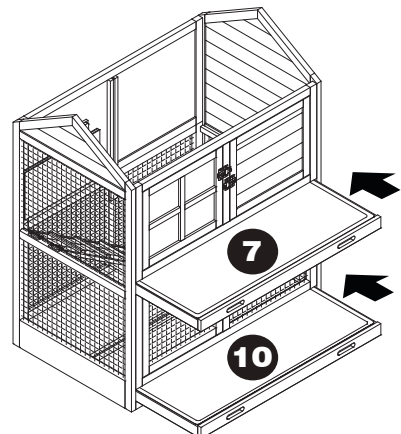
4



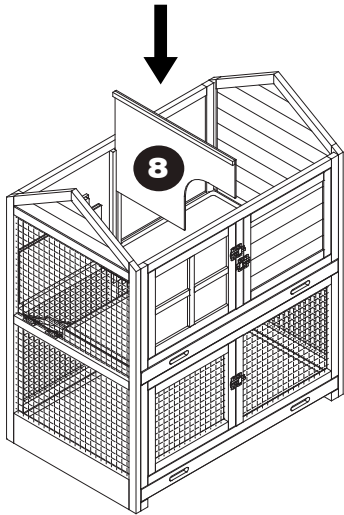
5



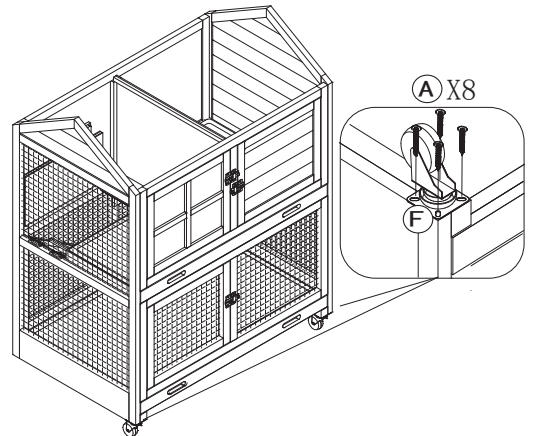
6



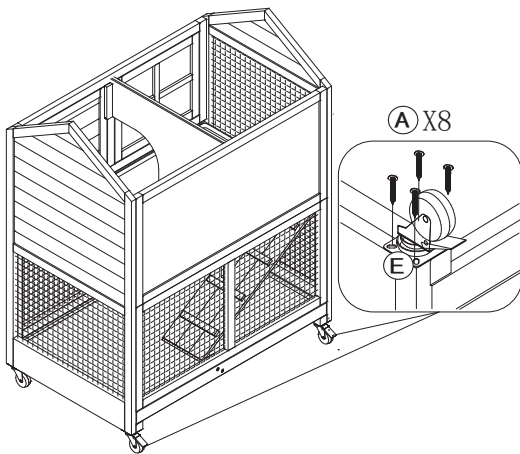
7



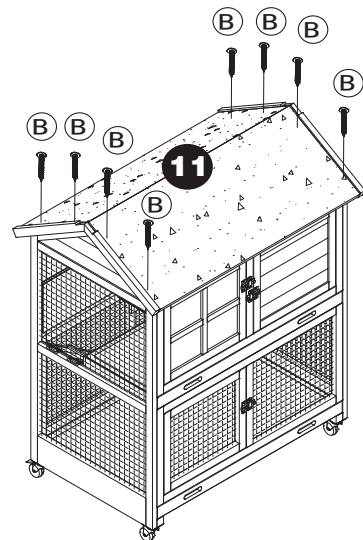
8



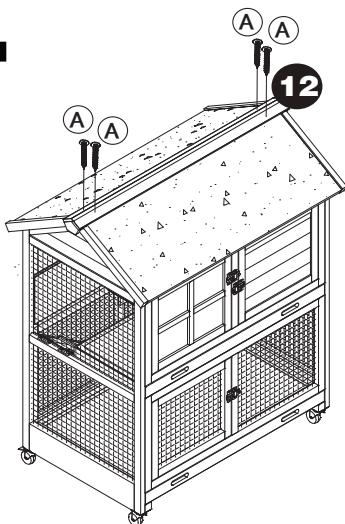
9



10



11



12

