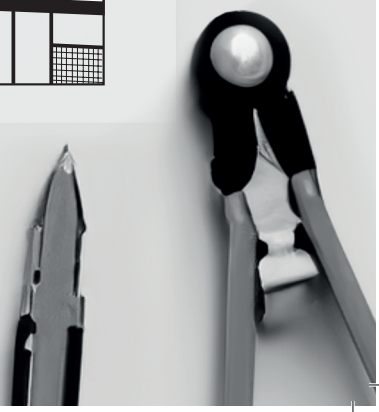
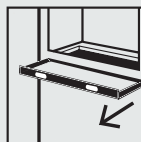
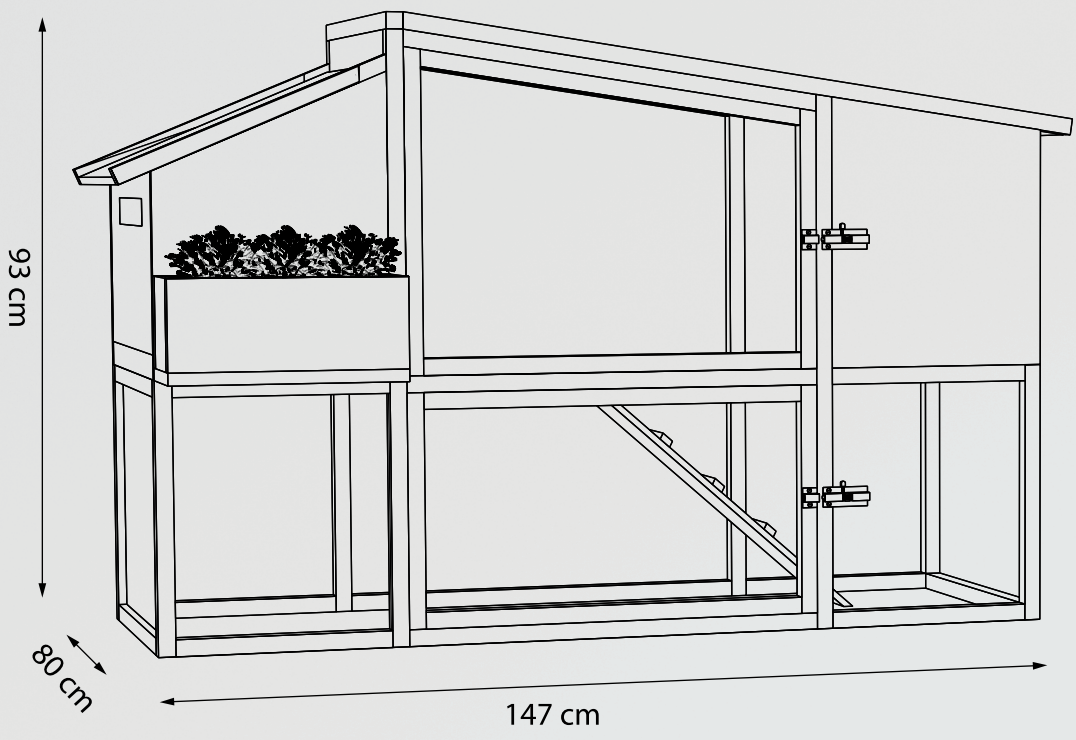










BUNNY BARN

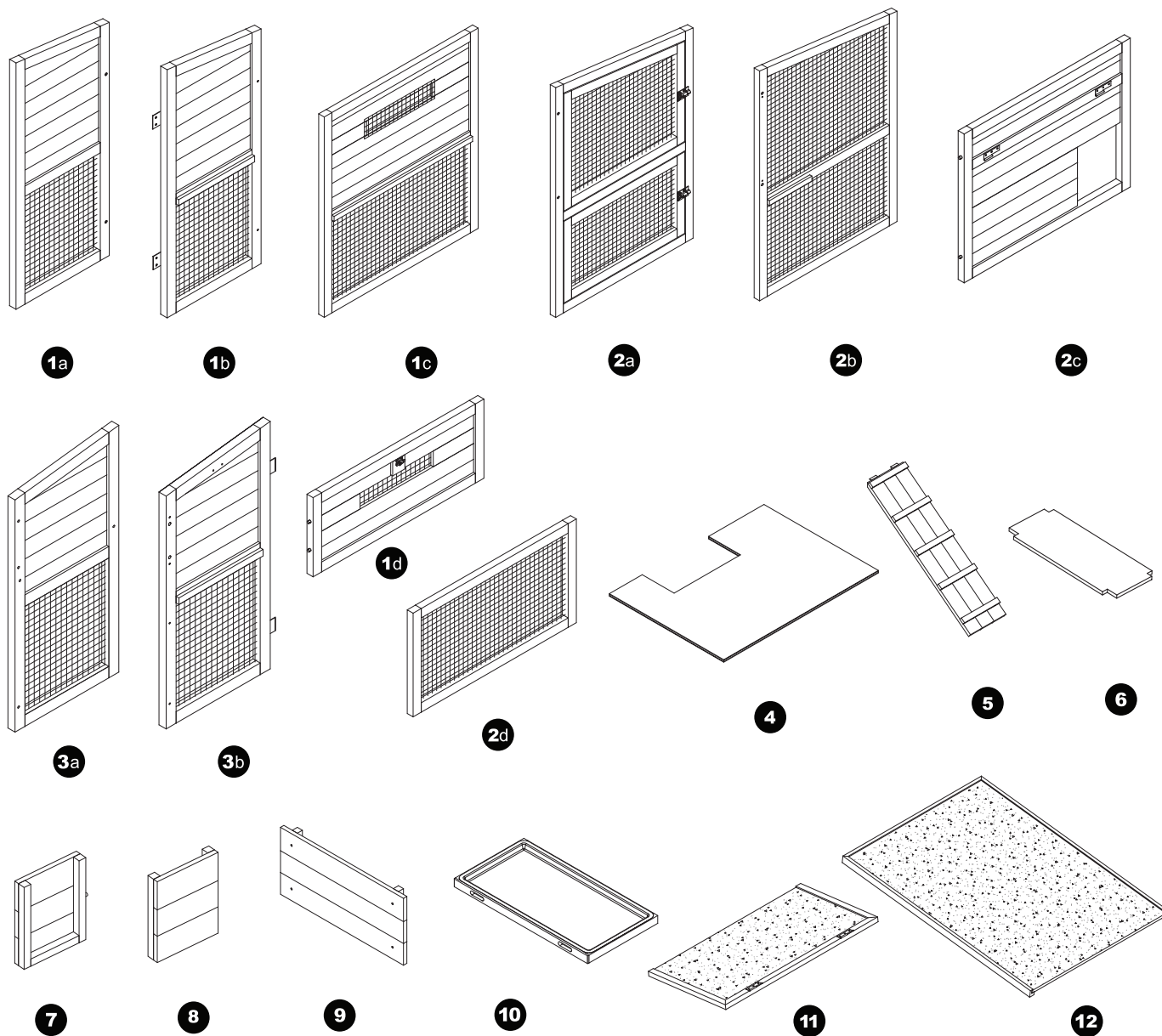


THESE PARTS:

FASTENERS

- Ⓐ 4+1 pcs - $\varnothing 3.5 \times 60$ mm 
- Ⓑ 16+1 pcs - $\varnothing 3.5 \times 45$ mm 
- Ⓒ 8+1 pcs - $\varnothing 3.5 \times 35$ mm 
- Ⓓ 4+1 pcs - $\varnothing 3.5 \times 22$ mm 
- Ⓔ 4+1 pcs - $\varnothing 4.0 \times 16$ mm 
- Ⓕ 2+1 pcs - $\varnothing 3.0 \times 12$ mm 
- Ⓖ 8+1 pcs - $\varnothing 3.5 \times 20$ mm 
- Ⓗ Left Hinge 

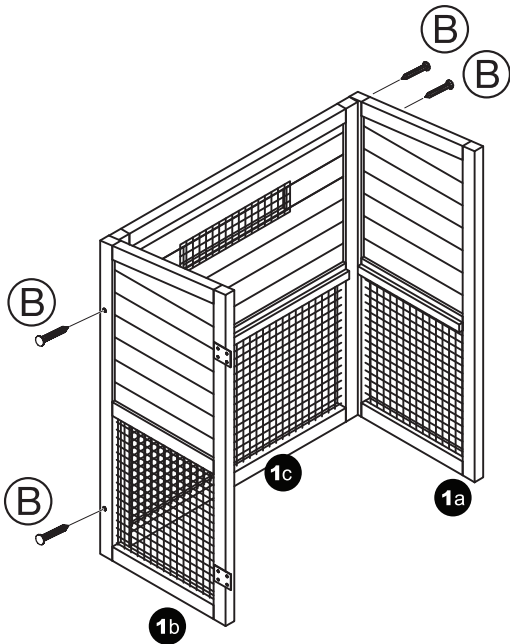
WOOD PIECES



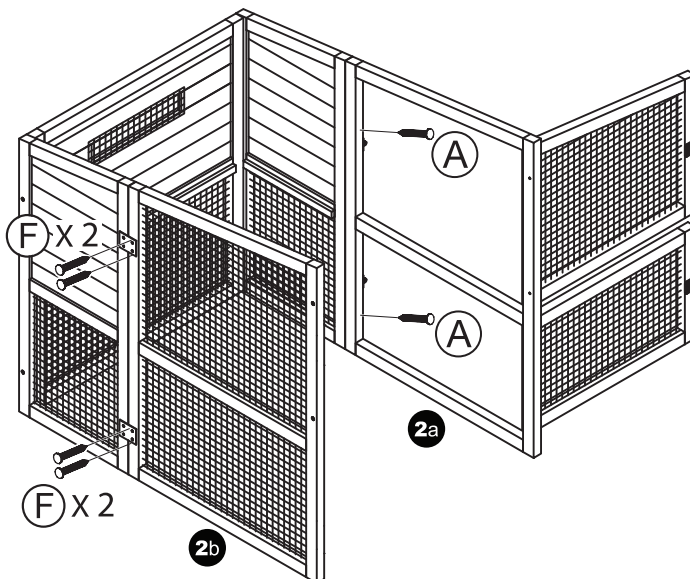
Assembly Instructions

*Use Screwdriver for Assembly

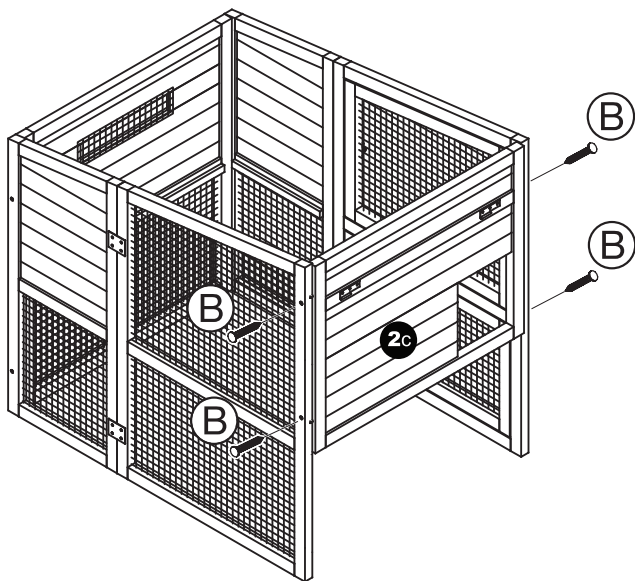
1



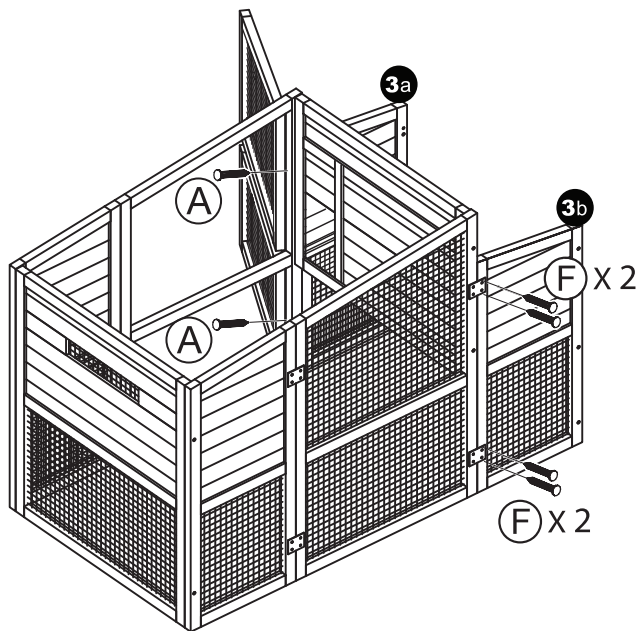
2



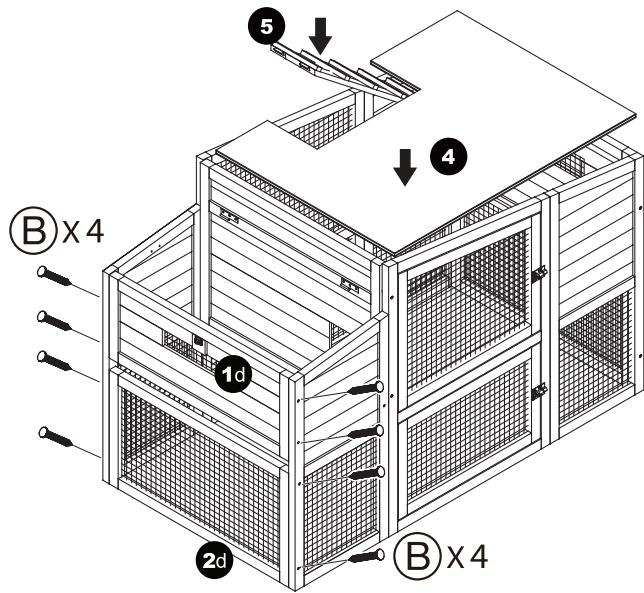
3



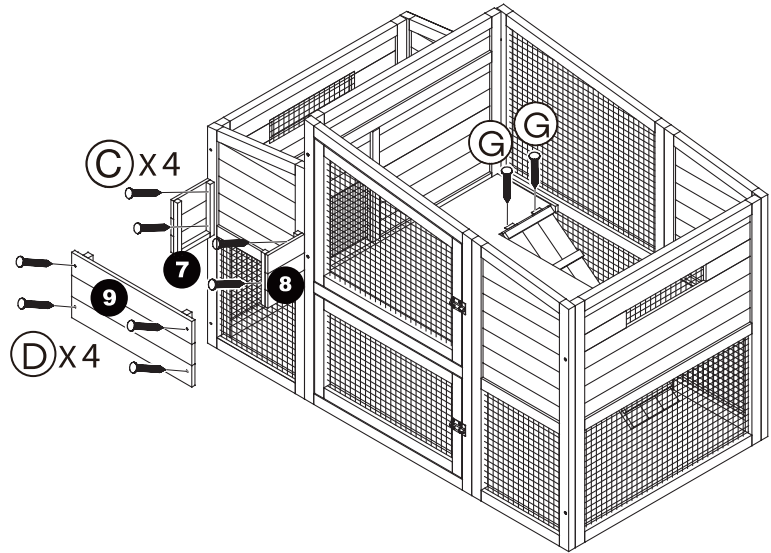
4



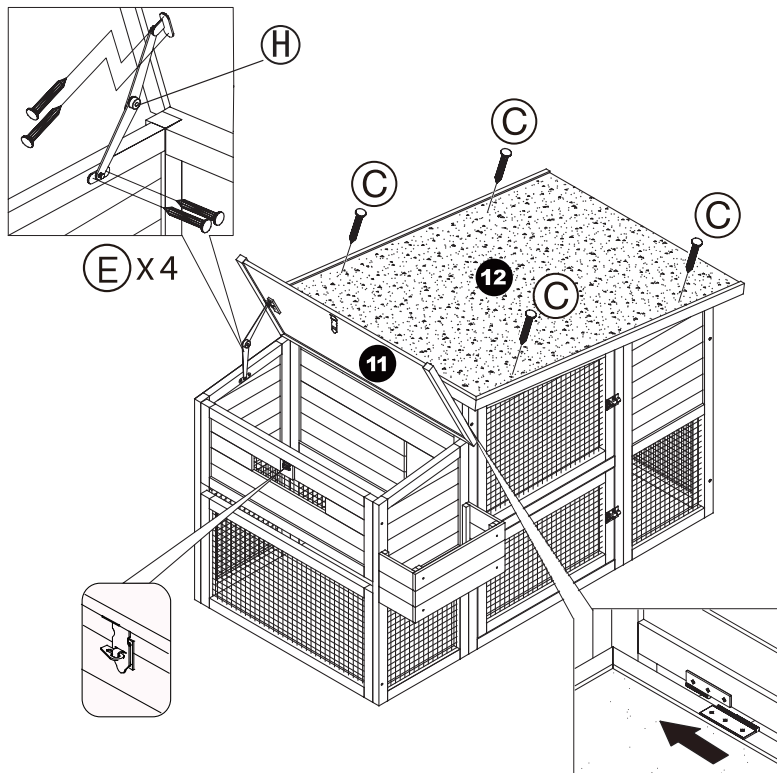
5



6



7



8

