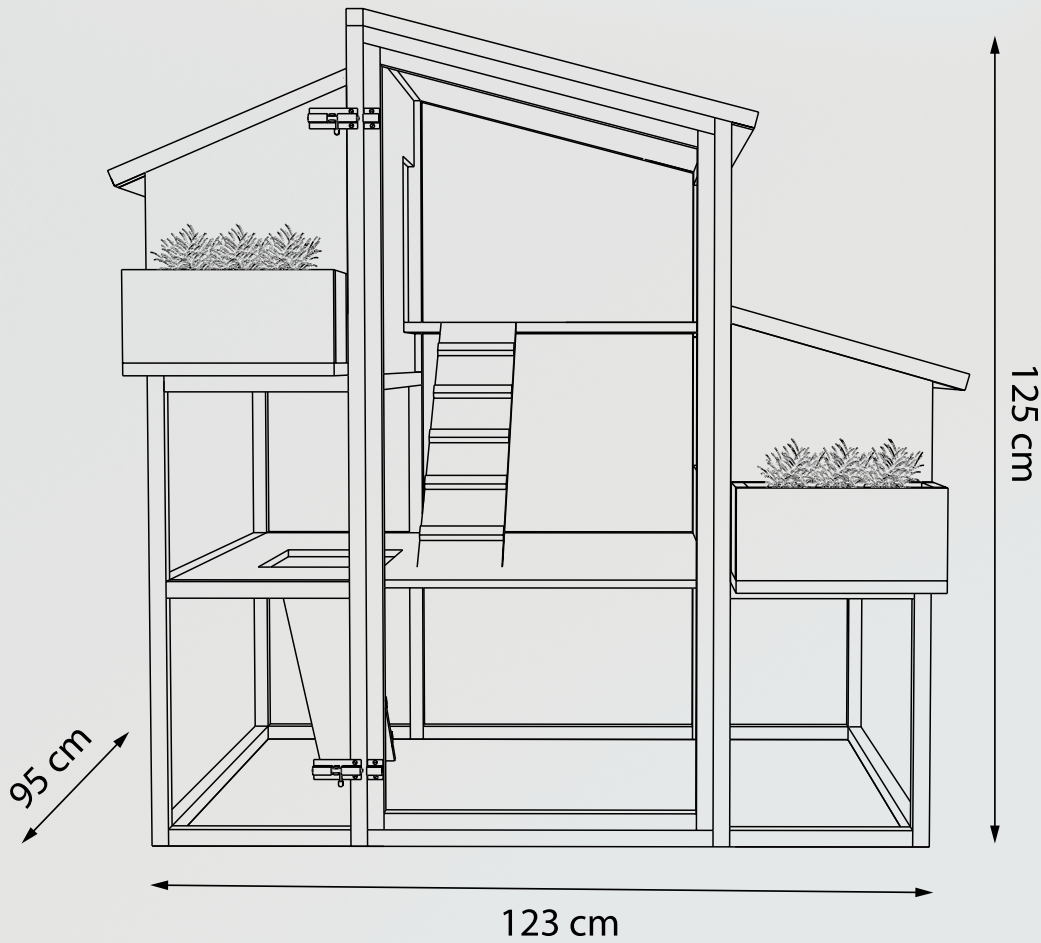


# CACKLEBERRY CASTLE



www.duvoplus.com by  
**Laroy GROUP** Industrieweg 98-100  
 9032 Wondelgem | Belgium  
 www.laroygroup.com  
 f i y @laroygroup  
 Questions? info@laroygroup.com



# THESE PARTS:

(A) 8+1 pcs  $\phi 3.5 \times 20$  mm



(E) 12+1 pcs  $\phi 3.5 \times 35$  mm



(B) 8+1 pcs  $\phi 3.5 \times 22$  mm



(F) 8+1 pcs  $\phi 4.0 \times 16$  mm



(C) 22+1 pcs  $\phi 3.5 \times 45$  mm



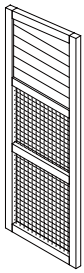
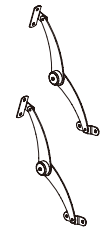
(G) 4+1 pcs  $\phi 3.0 \times 12$  mm



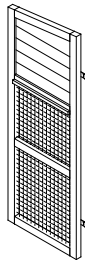
(D) 5+1 pcs  $\phi 3.5 \times 60$  mm



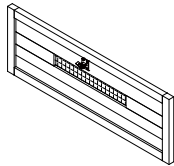
(H)



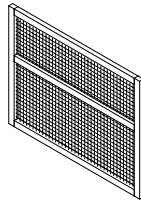
1a



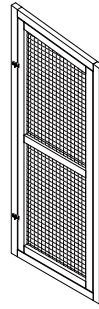
1b



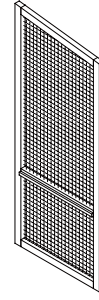
1c



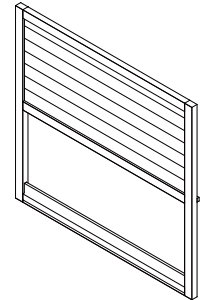
1d



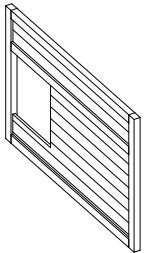
2a



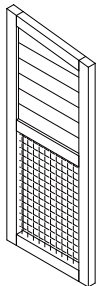
2b



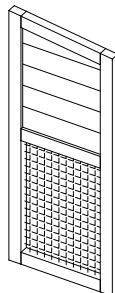
2c



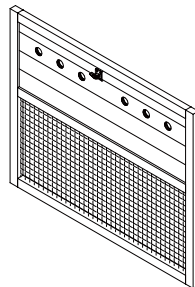
2d



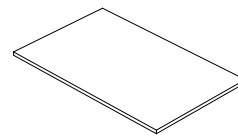
3a



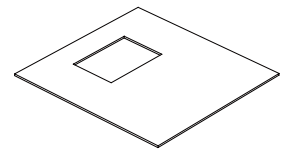
3b



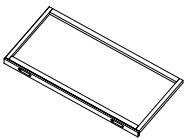
3c



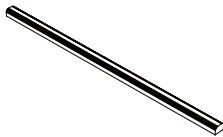
4



5



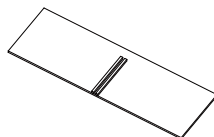
6



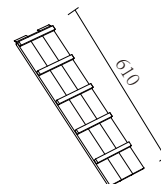
7



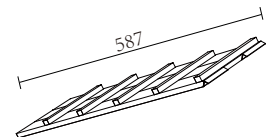
8



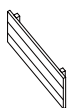
9



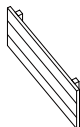
10



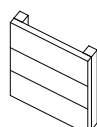
11



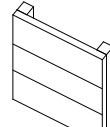
12



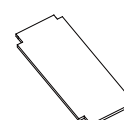
13



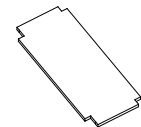
14 x2



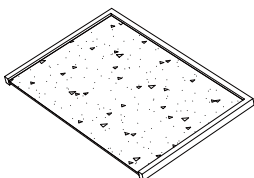
15 x2



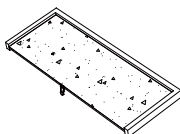
16



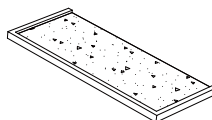
17



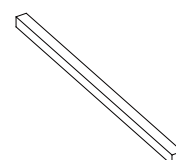
18



19



20

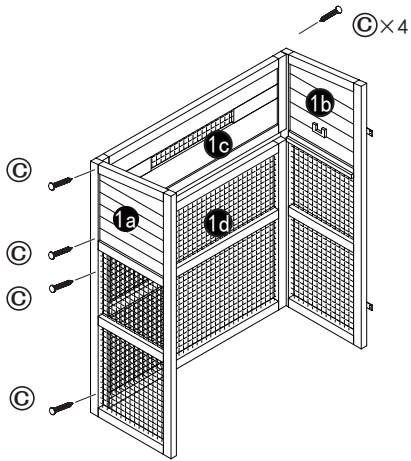


21

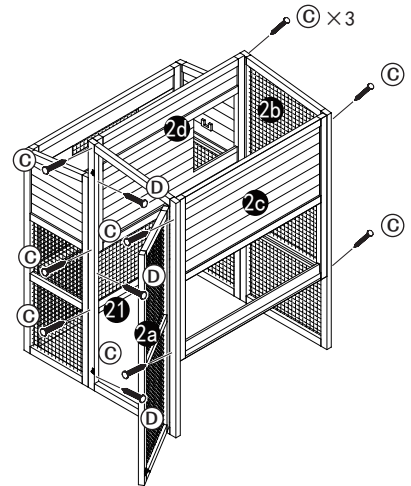
# Assembly Instructions

\*Use Screwdriver for Assembly

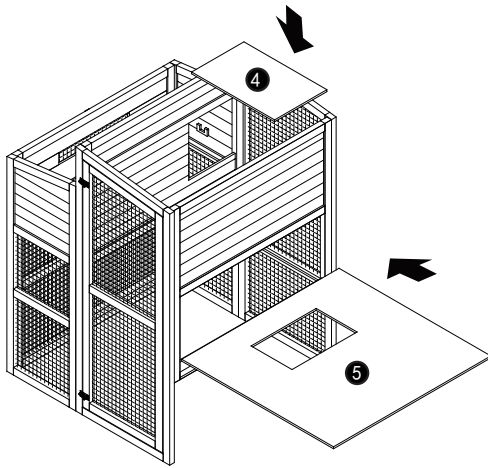
1



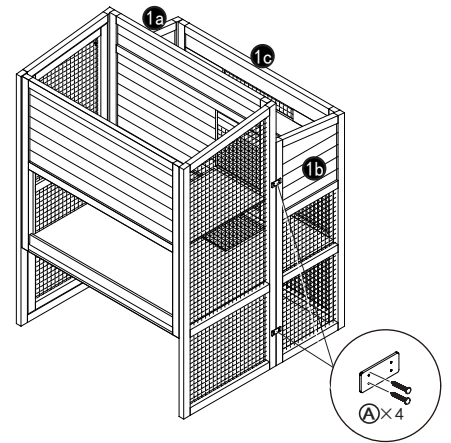
2



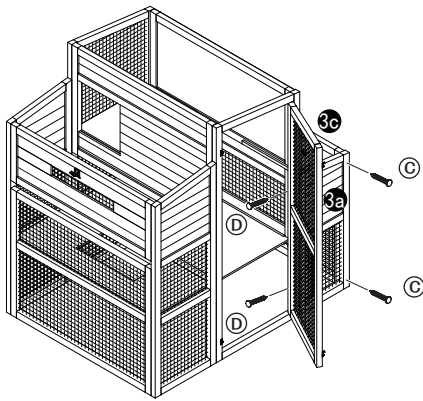
3



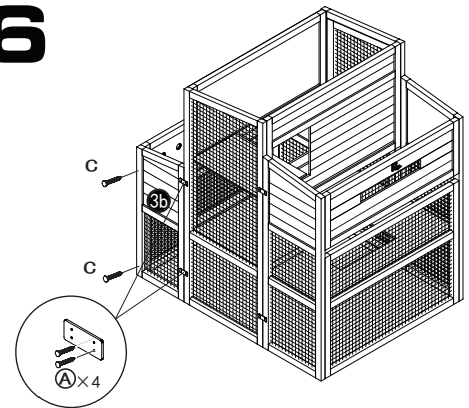
4



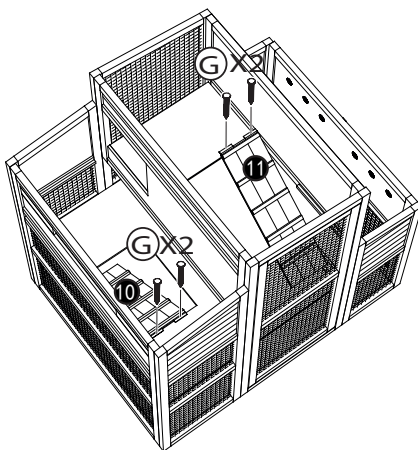
5



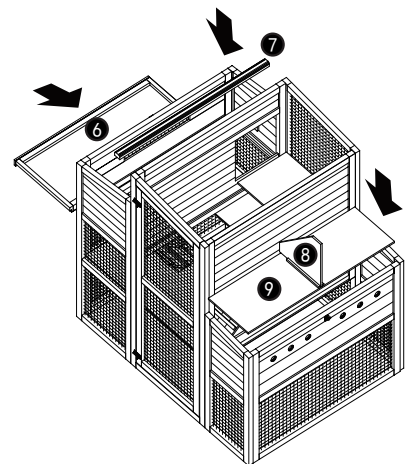
6



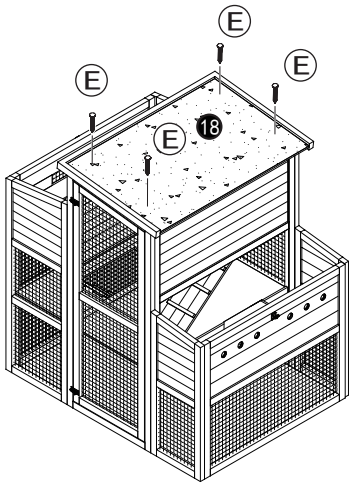
7



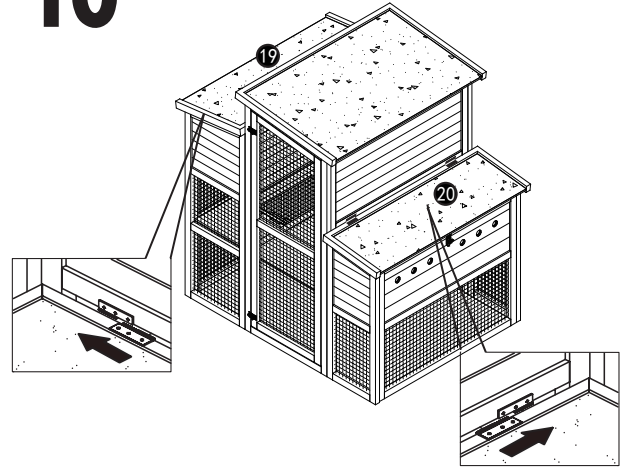
8



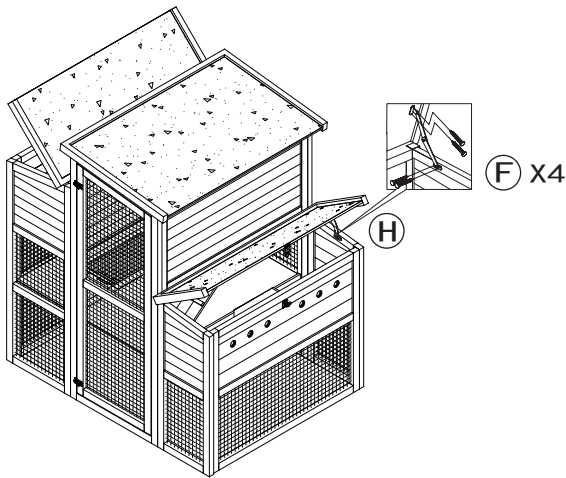
9



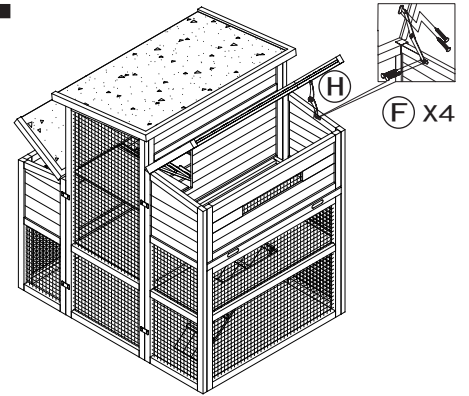
10



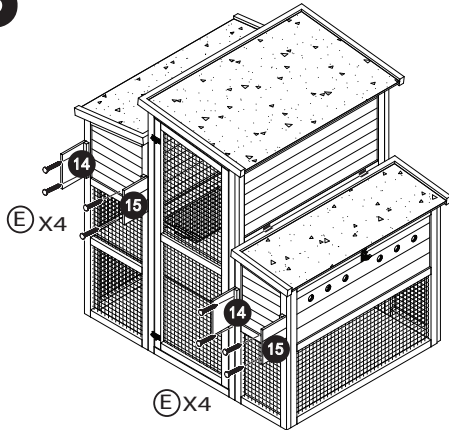
11



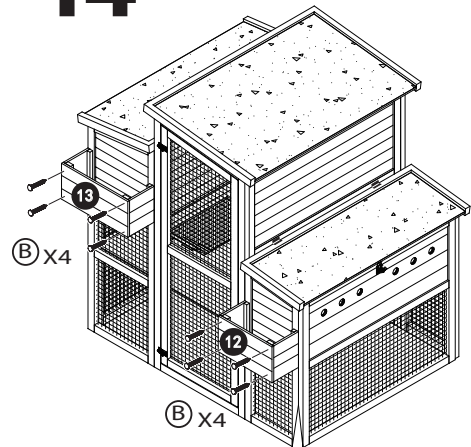
12



13



14



15

