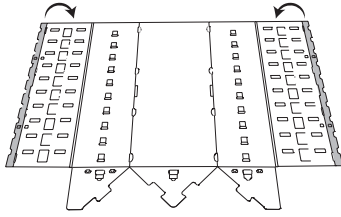
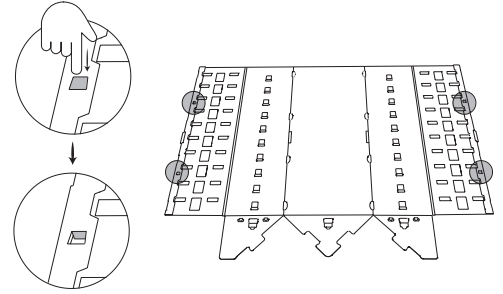


1. FOLD STRUCTURE FRAME

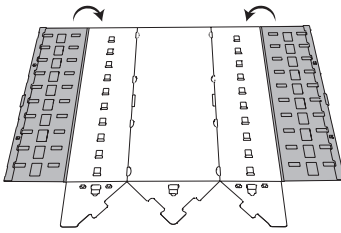
1.



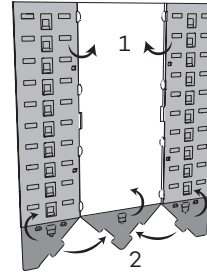
2. Push



3.

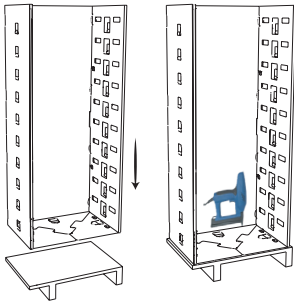


4.

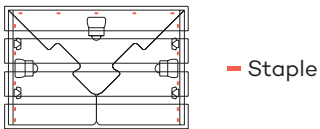


2. ATTACH STRUCTURE TO PALLET

WOODEN PALLET

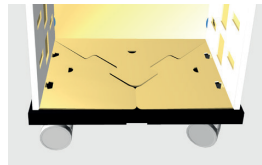
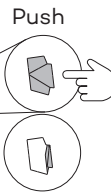
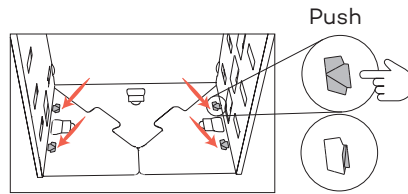


Use stapler to attach to pallet

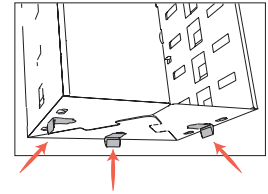


Staple

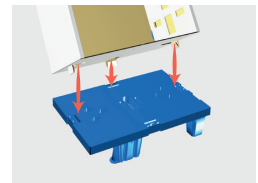
CC CENTRAL



CHEP, PALETTE ROUGE & IPP

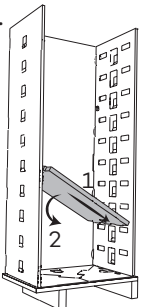


Unfold tabs to attach to pallet

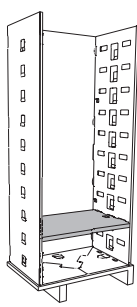


3. INSERT SHELVES

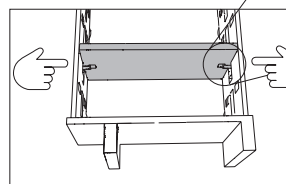
1.



2.

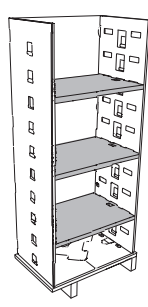


3. Push



Place shelves according to cover

4.

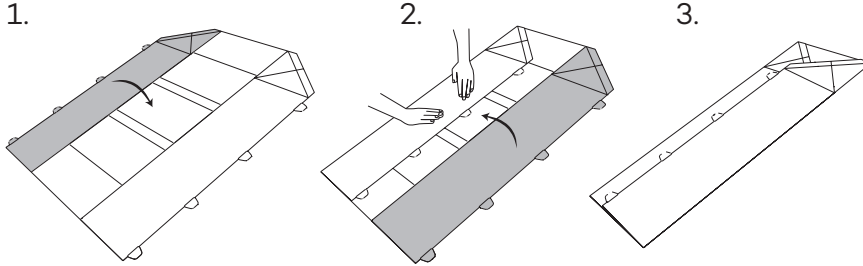


Mount from bottom tot op

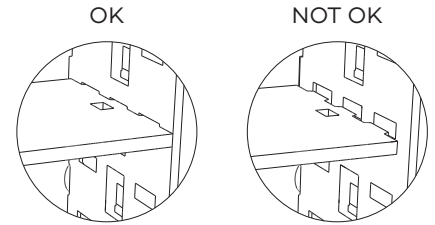
4. PREFOLD COVER

IMPORTANT:

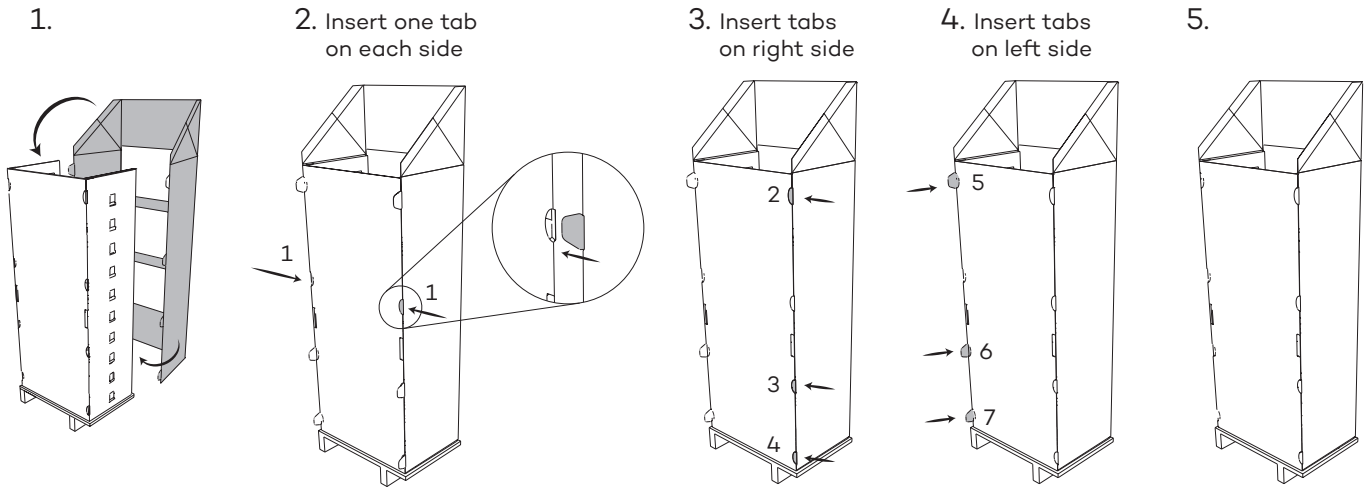
Fold cover in advance - Pay attention for false creases



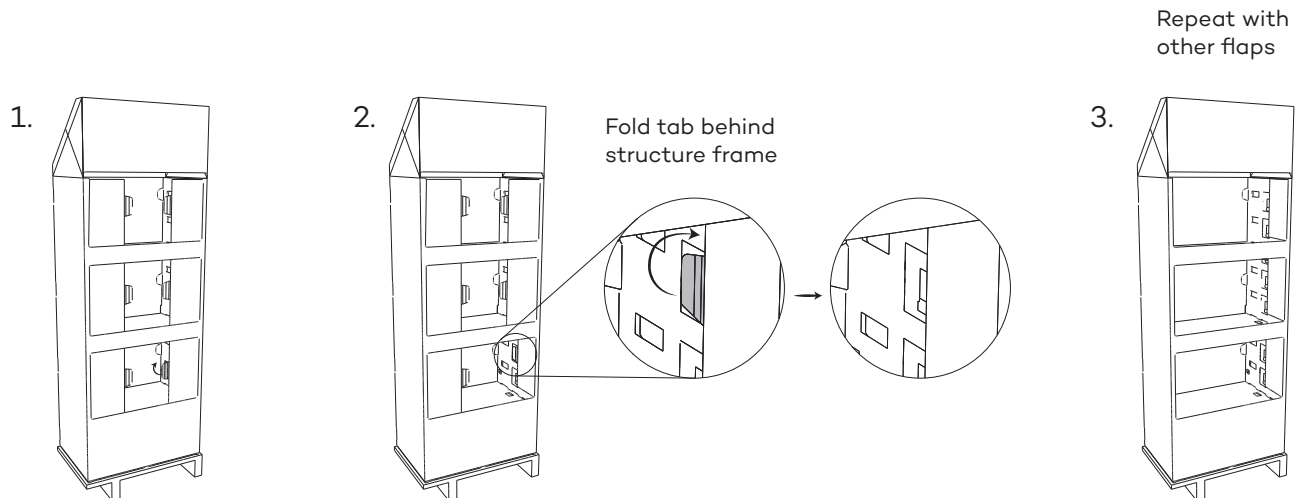
Make sure the shelves are mounted correctly



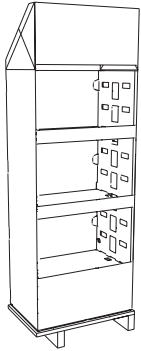
5A. SLIP THE COVER OVER THE STRUCTURE FRAME



5B. FOLDING AND ATTACHING INSIDE FLAPS

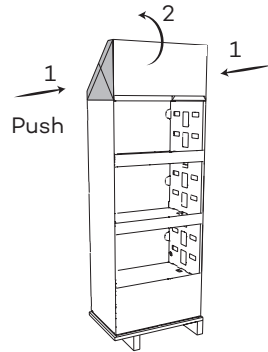


6. READY TO FILL

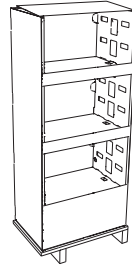


7. PREPARE FOR TRANSPORT

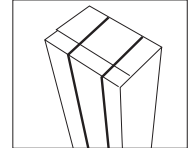
1. Fold the header



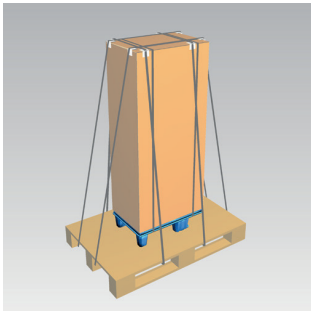
2.



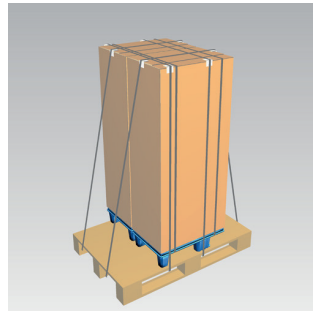
3. Place outer box and straps



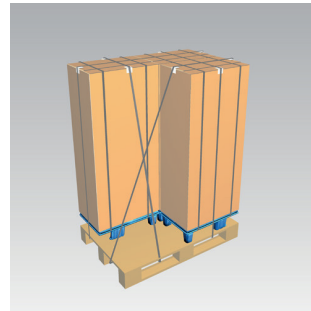
8. SHIPMENT



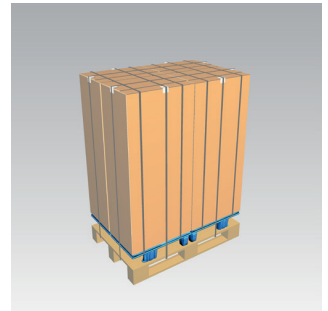
1. Strap



2. Strap



3. Strap



4. Strap and film